

Features

- Input Voltage 90~132V AC/176~264VA with switch
- -30~+70°C working temperature
- Approved to UKCA, CE
- Efficiency up to 92%
- Protection: OLP, OVP, OTP SCP
- Temperature controlled fan, forced air cooling
- 3 Years Warranty



Certified to EN 62368-1/IEC 62368-1 & CE, FCC, RoHS, REACH Standards and complies with the relevant Efficiency Regulations. These are primarily used in ITE, Audio & Video Industries and customised solutions are available upon request.

Models

Model Number	DC Voltage (V)	Rated Current (A)	Rated Power (W)	Efficiency (%)	Ripple & Noise (mVp-p)
64A-450FGF-12	12	50	600	90	≤200
64A-450FGF-15	15	40	600	90	≤200
64A-450FGF-24	24	25	600	92	≤240
64A-450FGF-36	36	16.6	597.6	92	≤360
64A-450FGF-48	48	12.5	600	92	≤480

Input Specifications

Input Voltage	90~132/176~264VAC
Input current	7.5A/230VAC, 12A/115VAC
Frequency Range	47~63Hz
Inrush Current	35A/115V 60A/230V (according 230VAC, Phase Angle 90° cold start)
Leakage Current	<2mA/240VAC

Output Specifications

Voltage adj. Range	±10.0%	All
Set up, Rise Time	≤ 1300ms, ≤ 50ms (115/230VAC 100%)	
Hold up Time	≥ 20ms (115/230VAC 100%)	
Line Regulation	±0.5%	All
Load Regulation	±0.5%	All
Output Voltage	±1.5%	All

Safety & EMC

Conducted emission	Design refers: EN55035 Class A
Radiated emission	Design refers: EN55035 Class A
Harmonic current	Design refers: EN/IEC 61000-3-2 Class D (with PFC)
Voltage fluctuation and flicker	Design refers :: EN/IEC 61000-3-3
Specification	Design refers: GB4943/UL1012
Safety standard	Design refers: GB4943/UL1012
Withstand voltage	INPUT-OUTPUT I/P-O/P:3KVAC/10mA; INPUT- CASE I/P-CASE:2KVAC/10mA; OUTPUT-CASE O/P-CASE:0.5KVAC/10mA the duration of each test is:1min
Insulation resistance	I/P-O/P:100M ohms; I/P-Case:100M ohms; O/P-Case:100M ohms
Impedance ground	≤100mΩ 8V/40A TEST TIME:1min

Protection

Overvoltage	13.5 ~ 16.2V	12v
	18 ~ 21V	15v
	27.6 ~ 32.4V	24v
	41.4 ~ 48.6V	36v
	55.2 ~ 64.8V	48v
	Turn off the output voltage and restore after restart	
Overload protection	105 ~ 150%, Constant current limit mode, lock machine after 3S overload	

Environmental Characteristics

Working Temp & Humidity	-30~70°C, 20%~95%RH no condensing (refer to derating curve)
Storage Temp & Humidity	-40°C~85°C; 10%~95%RH no condensing
Vibration	10~500Hz,2G,10min/1 cycle, each along X, Y, Z axes six sweep cycles
Impact	20G, last 11mS, 3 impacts along X, Y and Z axes
Altitude	Lower than 5000mtrs

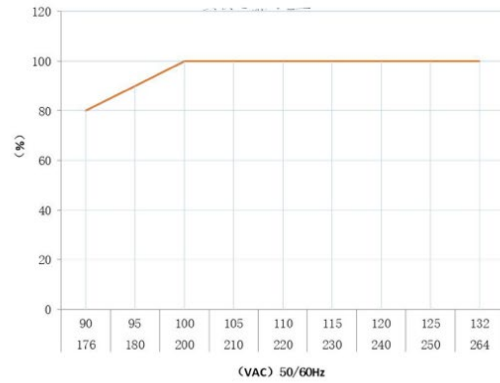
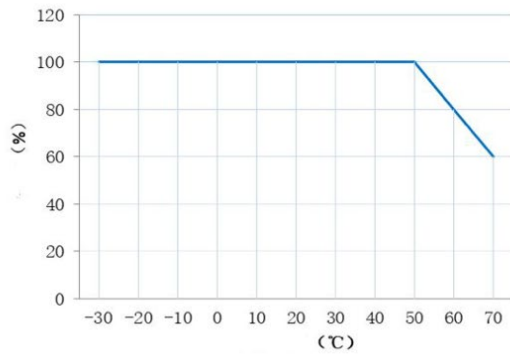
Other Information

MTBF	Under 25°C:250000Hrs, MIL-217 Method
Size	225*124*41mm (L*W*H)
Packing	09Kg/pc,120pc/ctn
Cooling mode	With fan

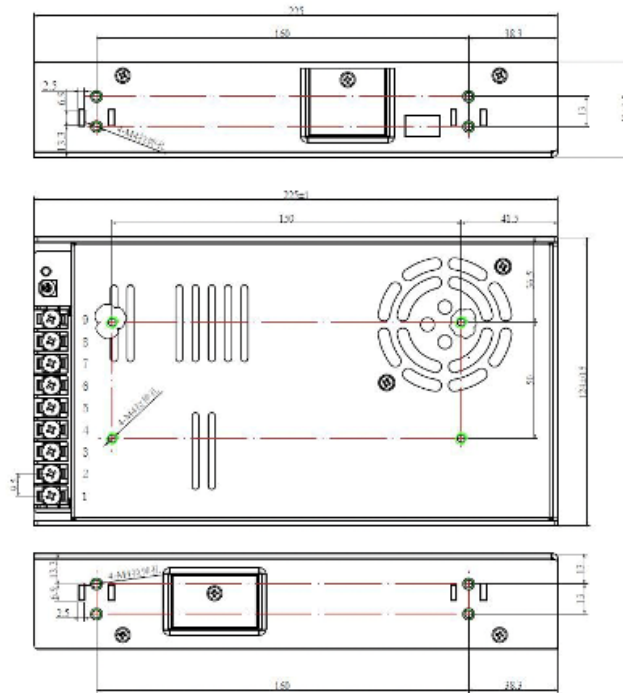
Notes:

- To extend the service life, it is recommended to leave 30% more allowance when loading. For example, if the equipment needs 100W power, please choose the power supply over 130W.
- Ripple & noise are measured at 20MHz of bandwidth by using a 12" twisted pair-wire terminated with a 0.1uf & 47uf parallel capacitor.
- All parameters NOT specially mentioned are measured at 230VAC input, rated load and 25°C of ambient temperature.
- The auxiliary heat dissipation of aluminium plate with an area of 400 * 400 * 3mm must be used when full load working.
- The power supply is considered a component which will be installed into a final equipment. The final equipment must be re-confirmed that it still meets EMC directives. All our EMC tests are carried out by mounting samples on metal plates.

Derating Curve



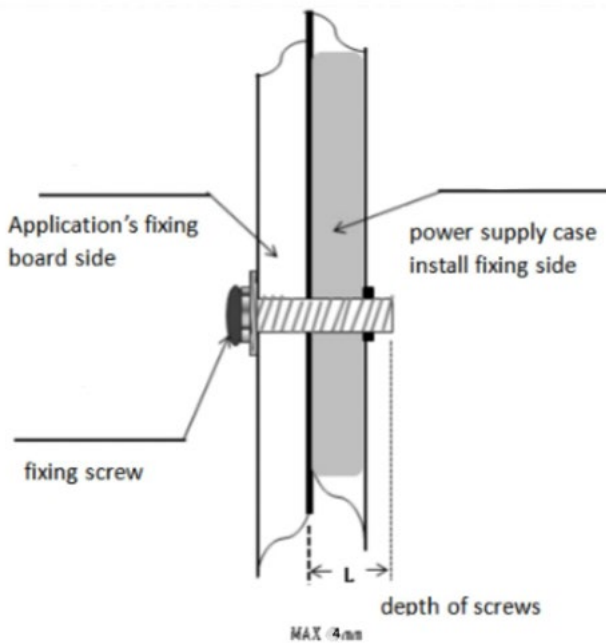
Mechanical Drawings



0-5-6	+/-1
6-30	+/-2
30-120	+/-3
120-400	+/-4
400-1200	+/-6

9	+5
8	+5
7	+5
6	A
5	+5
4	+5
3	⊕
2	AC/0
1	AC/0

Installation Guide



Warning

1. Use mounting screws by M3*6mm,
2. Max depth of screws into housing is 3mm,
3. Right picture with more details.

Use instructions:

1. Please follow the installation instructions when using the power supply.
2. Before powering on the test run after installation, please check and proofread the wiring on each terminal, make sure that the input and output, AC and DC, positive and negative, voltage and current values are correct, prevent the occurrence of wrong connection and avoid damaging the power supply and user equipment.
3. Before powering on, please use a multimeter to measure whether the live wire, zero wire and ground wire are short-circuited and whether the output terminal is short-circuited; it is better to start without load when powered on.
4. Do not exceed the nominal value of the power supply when using it, so as not to affect the reliability of the product. If you need to change the output parameters of the power supply, please consult our technical department before using it.
5. To ensure the safety of use and reduce interference, please ensure that the grounding terminal is reliably grounded (ground wire thicker than AWG18#).
6. If the power supply fails, please do not repair it without permission. Please contact us on +44 (0) 1733309865

Transport, and storage:

1. Transport: The package is suitable for shipping by automobiles, ships, airs, trains, etc. During transportation, it shall be rainproof, loaded and unloaded gently.
2. Storage: When the product is not in use, it shall be placed in the packing box. The storage environment temperature and relative humidity shall meet the product's requirements. There is no corrosive gas or product in the warehouse, no strong mechanical vibration, impact, or strong magnetic field. The packing box shall be padded at least 20cm above the ground, and not be soaked. If the storage time is too long (more than 1 year), it shall be rechecked by professionals before use.