

Features

- Input Voltage: 100~240VAC/140~340VDC
- Standard ultra-thin product, height 30mm
- -30~+70°C working temperature
- Approved to CE, CB, CCC, cULus
- Efficiency up to 86%
- Protection: OLP, OVP, SCP
- 3 Years Warranty



Certified to EN 62368-1/IEC 62368-1/GB 4943.1 & CE, CB, RoHS, REACH Standards and complies with the relevant Efficiency Regulations. These are primarily used in ITE, Audio & Video Industries and customised solutions are available upon request.

Models

Model Number	DC Voltage (V)	Output Power (W)	Input Voltage	Efficiency (%)	Output Current (A)	Max Capacitive Load (µF)
64A-35FGB-3.3	3.3	23.1	100-240VAC	81	0-7	6000
64A-35FGB-5	5	35	100-240VAC	82	0-7	6000
64A-35FGB-12	12	36	100-240VAC	84	0-3	1200
64A-35FGB-15	15	36	100-240VAC	85	0-2.4	900
64A-35FGB-24	24	36	100-240VAC	85	0-1.5	540
64A-35FGB-36	36	36	100-240VAC	86	0-1	180
64A-35FGB-48	48	38.4	100-240VAC	86	0-0.75	68

Notes:

All parameters NOT specially mentioned are measured at 230VAC input, rated load and 25°C of ambient temperature

Input Specifications

Input Voltage	90-264VAC	
Rated Input Voltage (AC)	100-240VAC	
Rated Input Voltage (DC)	140-340VAC	
Input current	0.70A	100% load, 115Vac
	0.50A	100% load, 230Vac
Frequency Range	47~63Hz	
Inrush Current	120A/230/277VAC	
Leakage Current	3.5mA, 240VAC/60Hz	

Output Specifications

	3.3v	5v	12v	15v	24v	36v	48V
Voltage Tolerance	±2.0%		±1.0%				
Voltage adj. Range	3-3.6	4.5-5.5	10.8-13.2	13.5-16.5	21-26.4	33-39	44-52
Ripple & Noise (pk-pk)	100mV		120mV	150mV		200mV	
Default voltage	3.2-3.5	4.98-5.08	11.88-12.12	14.85-15.15	23.9-24.2	35.6-36.36	47.6-48.4
Rise Time	50ms/230VAC						
Turn on Delay Time	2500ms/230VAC						
Hold up Time	20ms/230VAC						
Line Regulation	±0.5%	All					
Load Regulation	±2.0%	3.3v, 5v					
	±1.0%	Others					

EMS Standards

	EMS	Standards / Criterion		
CE	Electrostatic Discharge (ESD)	EN 61000-4-2	Air 8 kV / contact 6 kV	Criteria B
	Radio-Frequency Electromagnetic Field Susceptibility Test-RS	EN 61000-4-3	80MHz-1GHz 10V/m	Criteria B
	Electrical Fast Transient / Burst-EFT	EN 61000-4-4	±2KV, (5 or 100) kHz	Criteria B
	Surge Immunity Test	EN 61000-4-5	CM±2KV/DM ±1KV	Criteria B
	Conducted Radio Frequency Disturbances Test-CS	EN 61000-4-6	10Vr.m. s;	Criteria A

Notes :

The power supply is considered a component which will be installed into a terminal equipment. All EMC tests should be confirmed with the final equipment.

Safety & EMC

Harmonic current	EN 61000-3-2
Conducted emissions test & radiated emissions test	EN55032
Voltage fluctuations & Flicker	EN61000-3-3
Safety standard	UL 62368-1; EN62368-1; IEC 62368-1; GB 4943.1;

Protection

Overload protection	105% -160%
	Hiccup mode, recovers automatically after fault condition is removed
Over voltage protection	110~135%
	Voltage limited mode, recovers automatically after fault condition is removed
Short circuit	Hiccup mode, recovers automatically after fault condition is removed

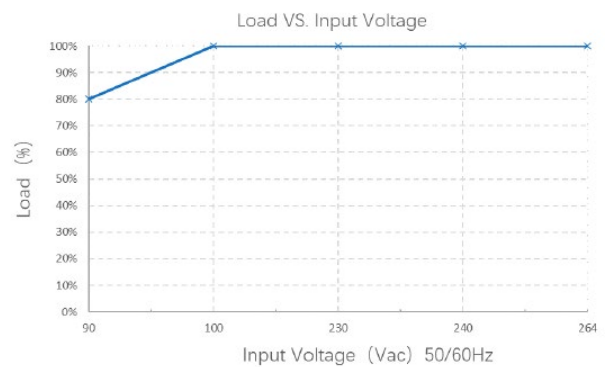
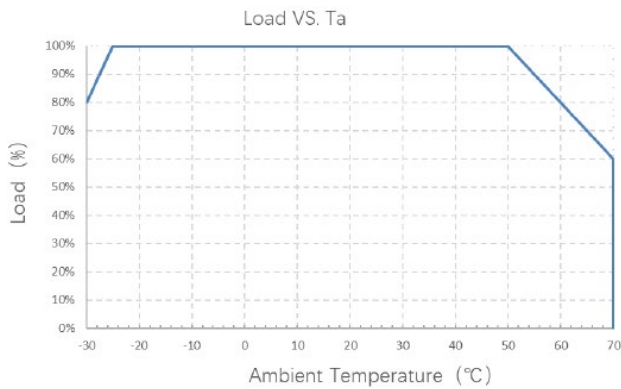
Environmental Characteristics

Working Temp & Humidity	-30~70°C 20%~95%RH no condensing (refer to derating curve)
Storage Temp & Humidity	-40°C~85°C 10%~95%RH no condensing
Temperature coefficient	±0.03% (0-50°C)
Altitude	5000m - The ambient temperature of derating of 0.5°C/100m for operating altitude higher than 2000m

Other Information

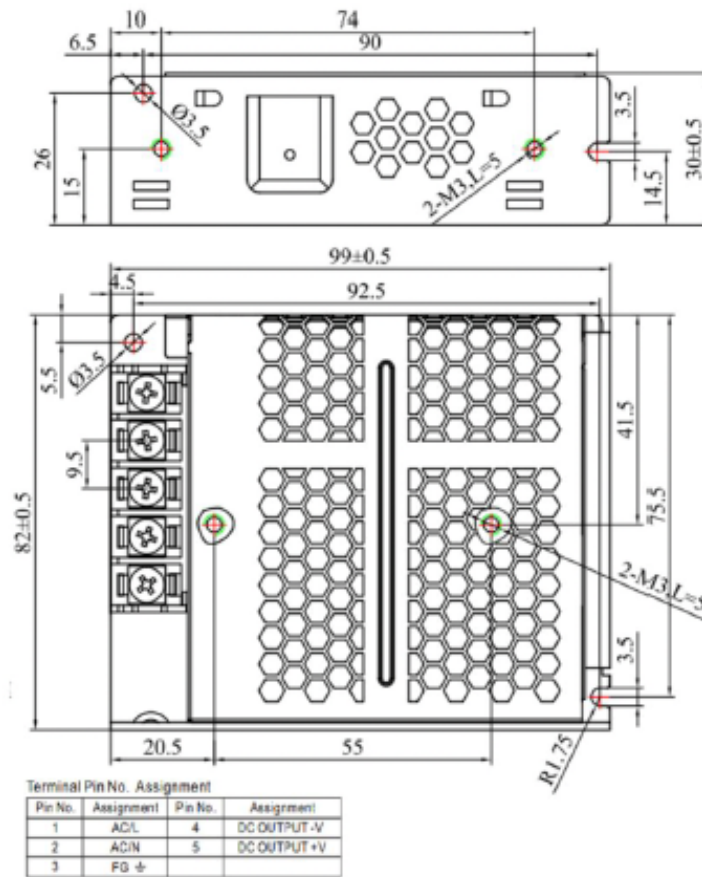
MTBF	100Khrs, 230VAC, 25°C, 80% Load (MIL-HDBK-217F)		
SIZE	L99.0×W82.0×H30.0		
Weight	200g		
Dielectric Test	Input-Output	3000VAC	10mA@60s
	Input-Case	1500VAC	10mA@60s
	Output-Case	500VAC	10mA@60s
Ground Resistances	0.1Ω		
Insulation Resistance	100MΩ	500VDC.	60s

Derating Curve



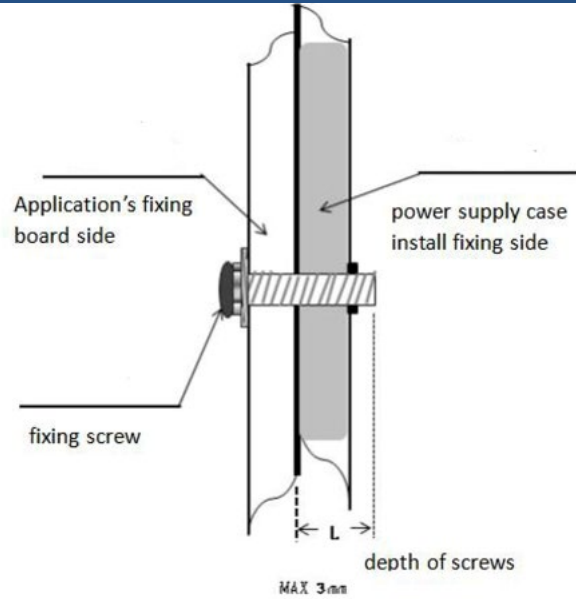
Notes:

1. In order to extend the service life, it is recommended to leave 30% more allowance when loading. For example, if the equipment needs 100W power, please choose the power supply over 130W.

Dimensions and Recommended Layout

Drawing

PIN Number	PIN Function	PIN Number	PIN Function
L	AC Line	V+	DC output +
N	AC neutral	V-	DC output -
FG	Earth		

Installation Guide

**Warning**

1. Use mounting screws by M4*6mm, 0.8N·m
2. Max depth of screws into housing is 3mm
3. Right picture with more details.
4. Connector tightening torque:
Input Terminal : 1.0N·m
Output Terminal: 1.0N·m

Instructions :

1. Please follow the installation instructions when use the power supply.
2. Before power on test run after installation, please check and proofread the wiring on each terminal, make sure that the input and output, AC and DC, positive and negative, voltage and current values are correct, prevent the occurrence of wrong connection, and avoid damaging the power supply and user equipment.
3. Before power on, please use a multi meter to measure whether the live wire, zero wire and ground wire are short circuited, and whether the output terminal is short circuited; it is better to start without load when power on.
4. Do not exceed the nominal value of the power supply when using, so as not to affect the reliability of the product. If you need to change the output parameters of the power supply, please consult our technical department before using.
5. In order to ensure the safety of use and reduce interference, please ensure that the grounding terminal is reliably grounded (ground wire please thicker than AWG18#)
6. If the power supply fails, please do not repair it without permission. Please contact us on +44 (0) 1733 309865