

Features

- Input voltage: 100-240VAC/140-340VDC
- Built-in active PFC function >0.95
- LED indicator for power on
- Support output remote voltage
- Compensation and output on / off control (Optional)
- Output short circuit, over-current, over-voltage, over-temperature protection
- Operating temperature range: -30°C to +70°C



Certified to EN 62368-1/IEC 62368-1/GB 4943.1 & CE, RoHS, REACH Standards and complies with the relevant Efficiency Regulations. These are primarily used in ITE, Audio & Video Industries and customised solutions are available upon request.

Models

Model Number	DC Voltage (V)	Output Power (W)	Input Voltage (V AC)	Efficiency (%)	Output Voltage (V)	Output Current (A)	Max Capacitive Load (µF)
64A-200FKD-12P	12	199.2	100-240	87	12	0-16.6	4000
64A-200FKD-15P	15	199.5	100-240	87	15	0-13.3	3000
64A-200FKD-24P	24	199.2	100-240	88	24	0-8.30	3000
64A-200FKD-27P	27	199.8	100-240	88	27	0-7.40	2500
64A-200FKD-36P	36	198.0	100-240	89	36	0-5.50	2000
64A-200FKD-48P	48	201.6	100-240	89	48	0-4.20	1000

Notes:

All parameters NOT specially mentioned are measured at 230VAC input, rated load and 25°C of ambient temperature.

Input Specifications

Input Voltage	90-264VAC	
Rated Input Voltage (AC)	100-240VAC	
Rated Input Voltage (DC)	140-340VAC	
Input current	3.0A	100% load, 115Vac
	1.3A	100% load, 230Vac
Frequency Range	47~63Hz	
Inrush Current	120A/230/277VAC	
Leakage Current	3.5A. 240VAC/60Hz	

Output Specifications

	12v	15v	24v	27v	36v	48V
Voltage Tolerance	±1.0%					
Voltage adj. Range	10-13.2	13.5-15.5	20-26.4	25-29	32.4-39.6	41-56
Ripple & Noise (pk-pk)	150mV			200mV	240mV	
Default voltage	12-12.2	15-15.2	24-24.3	27-27.3	36-36.4	48-48.4
Rise Time	50ms/230VAC					
Turn on Delay Time	1500ms/230VAC					
Hold up Time	8ms/230VAC					
Line Regulation	±0.5%	All				
Load Regulation	±1.0%	All				

Notes:

Ripple & noise are measured at 20MHz f bandwidth by using a 12" twisted pair-wire terminated with a 0.1uf and 47uf parallel capacitor.

EMS Standards

	Notes	Standards/ Criterion		
CE	Electrostatic Discharge (ESD)	EN 61000-4-2	Air 8 kV / contact 6 kV	Criteria A
	Radio-Frequency Electromagnetic Field Susceptibility Test-RS	EN 61000-4-3	80MHz–1GHz 10V/m	Criteria A
	Electrical Fast Transient / Burst-EFT	EN 61000-4-4	±2KV, (5 or 100) kHz	Criteria A
	Surge Immunity Test	EN 61000-4-5	CM±2KV/DM ±1KV	Criteria A
	Conducted Radio Frequency Disturbances Test-CS	EN 61000-4-6	10Vr.m. s;	Criteria A
	Power frequency magnetic field test	EN 61000-4-8	30A/m	Criteria A
	Voltage Dips		EN 61000-4-11	0%/100%/0.5 Period
70%/30%/25 Period				Criteria B
0%/100%/250 Period				Criteria B

Notes :

The power supply is considered a component which will be installed into a terminal equipment. All EMC tests should be confirmed with the final equipment.

Safety & EMC

Harmonic Current	EN 61000-3-2
Conducted Emissions Test & Radiated	EN55032
Voltage Fluctuations & Flicker	EN61000-3-3
Safety Standard	UL 62368-1; EN62368-1; IEC 62368-1; GB 4943.1;

Protection

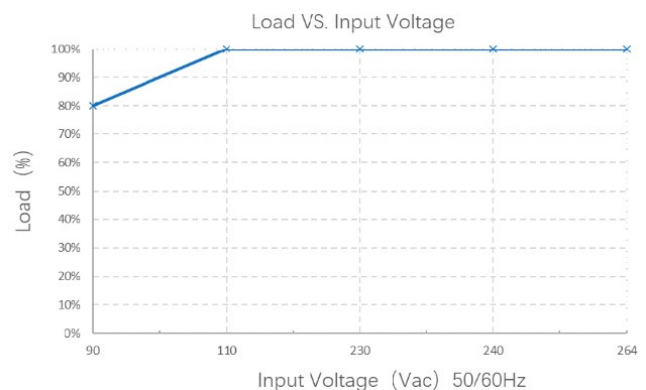
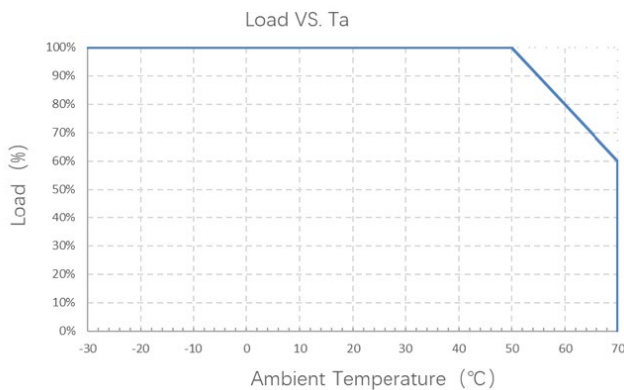
Overload	110% -160%
	Hiccup mode, recovers automatically after fault condition is removed
Over voltage	110~140%
	Constant voltage, recovers automatically after temperature decreases
Over temperature	Shut down output voltage, recovers automatically after temperature decreases
Short circuit	Hiccup mode, recovers automatically after fault condition is removed

Environmental Characteristics

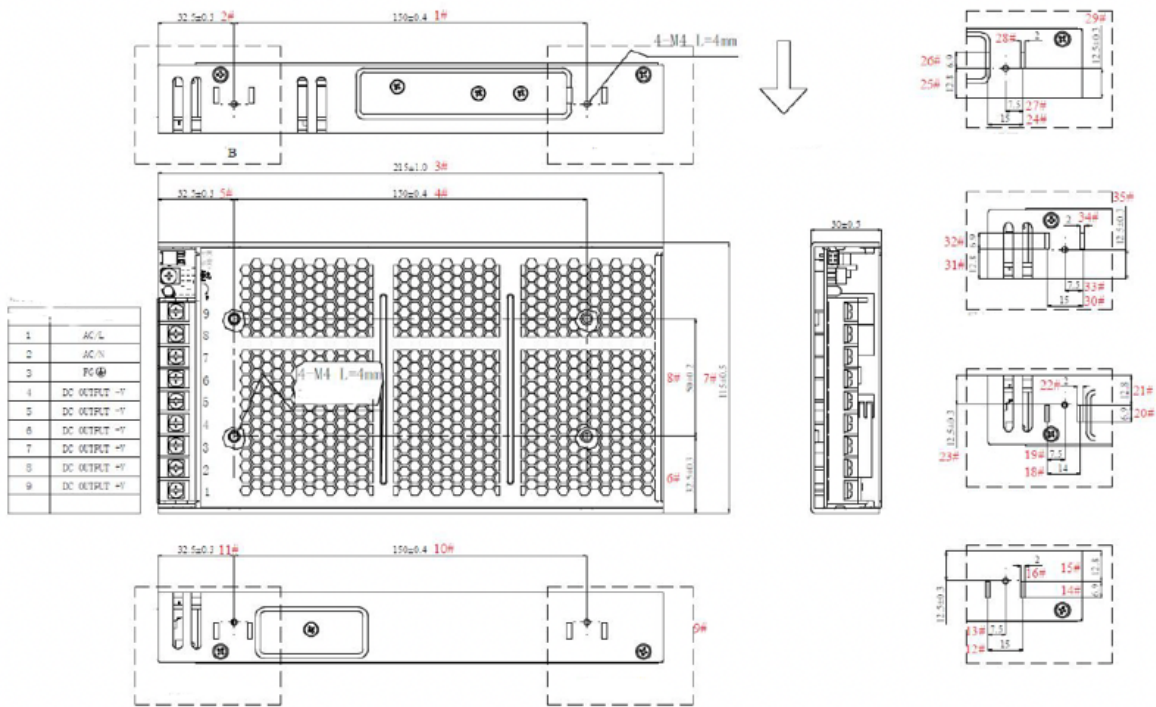
Working Temp & Humidity	-30~70°C 20%~95%RH no condensing (refer to derating curve)		
Storage Temp & Humidity	-40°C~80°C 10%~95%RH no condensing		
Temperature coefficient	±0.03% (0-50°C)		
Altitude	5000m - The ambient temperature of derating of 0.5°C/100m for operating altitude higher than		
Dielectric test	Input-Output	3000VAC	10mA@60s
	Input- Case	1500VAC	10mA@60s
	Output-Case	500VAC	10mA@60s
Ground Resistances	0.1Ω		
Insulation Resistance	10MΩ	500VDC, 60s	

Other Information

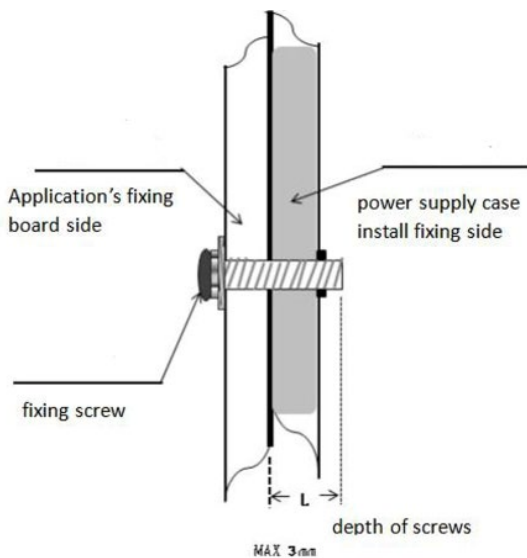
MTBF	100Khrs, 230VAC, 25°C, 80% Load (MIL-HDBK-217F)		
SIZE	L215.0×W115.0×H30.0		
Weight	800g		
Remote voltage compensation	S + / S -; S + and S - are respectively connected to the positive and negative ends of the load, the maximum line voltage drop can be compensated to 0.2V (optional)		
Output ON/OFF control	RC + / RC -; 0-0.6v or short circuit or open circuit power on; 4-10v		

Derating Curve

Notes:

To extend the service life, it is recommended to leave 30% more allowance when loading. For example, if the equipment needs 100W power, please choose the power supply over 130W.

Dimensions and Recommended Layout

Other Information

PIN number	PIN Function	PIN Number	PIN Function
L	AC Line	V+	DC Output+
N	AC Neutral	V-	DC Output-
FG	Earth	RC+	Output ON/OFF, signal+
		RC-	Output ON/OFF, signal-
		S+	Remote sense signal+
		S-	Remote sense, signal -

Installation Guide

Warning

1. Use mounting screws by M4*6mm,0.8N·m
2. Max depth of screws into housing is 3mm
3. Right picture with more details.
4. Connector tightening torque:

Input Terminal :1.0N·m

Output Terminal: 2.0N·m

Instructions :

1. Please follow the installation instructions when use the power supply.
2. Before power on test run after installation, please check and proofread the wiring on each terminal, make sure that the input and output, AC and DC, positive and negative, voltage and current values are correct, prevent the occurrence of wrong connection, and avoid damaging the power supply and user equipment.
3. Before power on, please use a multi meter to measure whether the live wire, zero wire and ground wire are short circuited, and whether the output terminal is short circuited; it is better to start without load when power on.
4. Do not exceed the nominal value of the power supply when using, so as not to affect the reliability of the product. If you need to change the output parameters of the power supply, please consult our technical department before using.
5. In order to ensure the safety of use and reduce interference, please ensure that the grounding terminal is reliably grounded (ground wire please thicker than AWG18#)
6. If the power supply fails, please do not repair it without permission. Please contact us on +44 (0) 1733 309865