

## Features

- Input Voltage 90~264V AC
- Built in Active PFC Function
- Efficiency up to 90%
- Protection: OLP, OVP, SCP, OTP
- 3 Years Warranty



## 56YEL150-xx AC-DC PSU Series

150W Enclosed AC/DC Power Supply (PSU)



The 56YEL150-xx Series is a consistent and reliable 150W Enclosed AC/DC Power Supply. Designed for use in applications such as commercial AV, broadcasting and control panels. This series is supplied with a Screw Terminal Block input connection and supports input voltages of 90~264V AC 47~63Hz.

## Models

Model	Voltage (V) DC	Rated Current	Rated Power	% Efficiency	Voltage range	Ripple and Noise mVp-
56YEL150-12	12	12.5	150	87.5	10.2~13.8	150
56YEL150-15	15	10	150	88.5	13.5~18	150
56YEL150-24	24	6.5	156	89	21.6~28.8	200
56YEL150-36	36	4.3	154.8	89.5	32.4~39.6	200
56YEL150-48	48	3.3	158.4	90	43.2~52.8	200

Input Specifications	
Input Voltage	90-264VAC
Frequency Range	47-63Hz
AC Current	3.1A/115VAC                      1.8A/230VAC
Inrush Current	Cold Start 60A/400us at 230VAC 50Hz                      Cold Start 30A/400us at 115VAC 50Hz
Leakage Current	<1.5mA/240VAC

Output Specifications	
Voltage Tolerance	+1.0%
Line Regulation	±0.5%
Load Regulation	±0.5%
Set up Rise Time Hold up	0.5s,30ms,40ms/230VAC(at full load)                      0.5s,30ms,35ms/115VAC(at full load)

Protection	
Over Load	110~140%Rated Output Power Hiccup mode, recovers automatically after fault condition is removed.
Over Voltage	115~135%Rated Output Voltage Shut down o/p voltage, re-power on to recover.
Short Circuit	Hiccup mode, recovers automatically after fault condition is removed
Over Temperature	Shut down o/p voltage, re-power on to recover.

Environmental Characteristics	
Working Temp	-30~+70°C (Refer to "Derating Curve")
Working Humidity	20~95% RH non-condensing
Storage Temp., Humidity	-40~+85°C, 10~95% RH non-condensing
Temp. Coefficient	±0.03%/°C (0~50°C)
Vibration	Component: 10 ~ 500Hz, 5G 10min./1cycle, 60min. each along X, Y, Z axes
Over Voltage Category	OVC II / According to BS EN/EN61558, BS EN/EN50178,BS EN/EN60664-1,BS EN/EN62477-1;altitude up to 2000 meters
MTBF	243.2Khrs min. MIL-HDBK-217F(25°C)
Safety Protection	Class I

Safety & EMC	
Safety Standards	BS/EN62368-1
Withstand Voltage	I/P-O/P:3KVAC/1min I/P-FG:2KVAC/1min O/P-FG:0.5KVAC/1min
Isolation Resistance	I/P-O/P:100M Ohms / 500VDC / 25°C/ 70% RH
EMC Emission	Compliance to BS EN/EN55032 (CISPR32) Class B,BS EN/EN55035 BS EN/EN61000-3-2, BS EN/EN61000-3-3
EMC Immunity	Compliance to BS EN/EN61000-4-11 Criteria B, BS EN/EN61000-4-2,3,4,5,6,8 Criteria A

**Notes:**

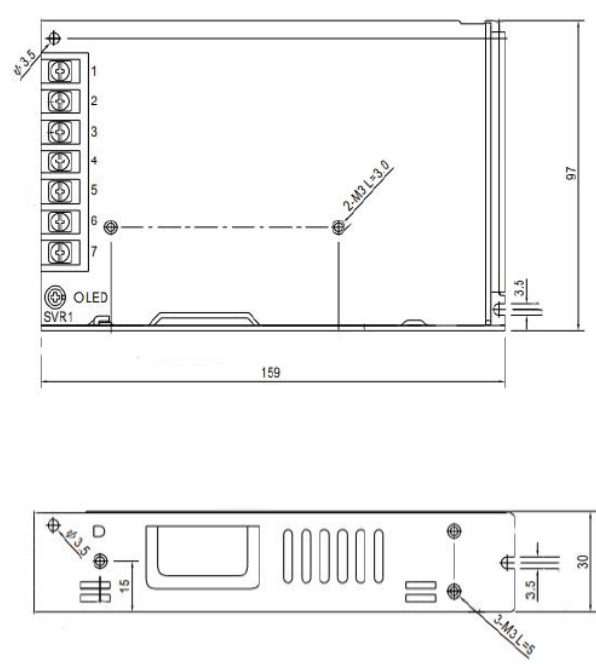
1. All parameters NOT specially mentioned are measured at 230VAC input, rated load and 25°C of ambient temperature.
2. Ripple & noise are measured from peak to peak with band width limit of 20MHz (0.1uf and 47uf /50V parallel capacitor under DC output full load, AC nominal input 25 °C ambient temperature).
3. Derating may be needed under low input voltages. Please check the derating curve for more details.
4. The power supply is considered a component which will be installed into a final equipment. The final equipment must be re-confirmed that it still meets EMC directives. For guidance on how to perform these EMC tests, please refer to "EMI testing of component power supplies."
5. The ambient temperature derating of 5°C/1000m is needed for operating altitude greater than 2000m(6500ft).

**Dimensions & Weight**

Size	159 x 97 x 30 mm
Weight	480g/pcs

**Packaging**

Carton Size	36 × 31.5 x 17.5 CM
Master Carton Quantities	20pcs/carton

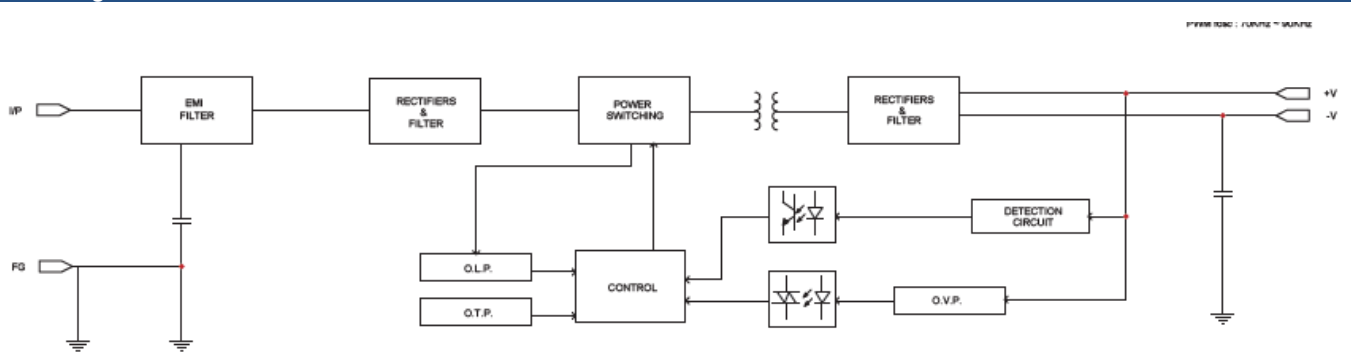
**Dimensions and Recommended Layout**


**Input**

No.	Description
1	AC/L
2	AC/N
3	FG $\perp$

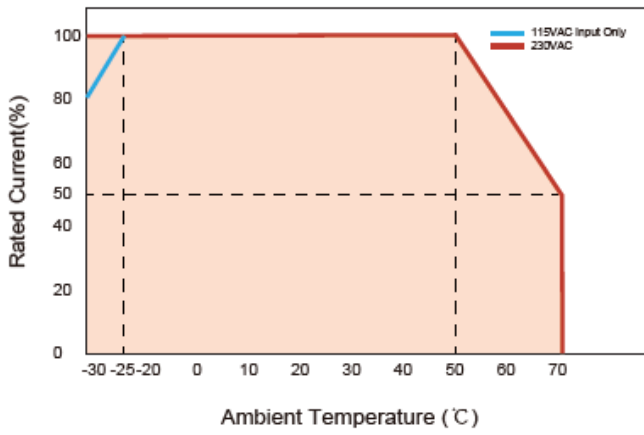
**Output**

No.	Description
4,5	DC OUTPUT -V
6,7	DC OUTPUT +V

**Block Diagram**


Derating Curve

Derating Curve



Static Characteristics

