

## Features

- Constant Voltage
- Input Voltage 200~240V AC
- Built in Active PFC Function
- OVP, OCP, OTP, SCP
- Working Temperature -25°C ~ +60°C
- Typical Efficiency 88%
- IP67 Waterproof
- Used in Floodlight and Outdoor Applications
- High PFC ≥0.9
- Metal Case



Ideal Power's 40VAS-xxxxxDyyyy 30~300W LED Driver Series are certified to UKCA, CE, CB, IP67, SELV, RCM (C-Tick), Isolation, RoHS & IEC 61347-1/IEC 61347-2-13 Standards and comply with the relevant Efficiency Regulations. These are primarily used in LED Lighting Industries and customised solutions are available upon request.

### Models

Model Number	Input Voltage (V ac)	Output Voltage (V dc)	Output Current (A)	PFC	Output Power (W)	Efficiency (%)	Dimensions (mm)
40VAS-12030D1762	200~240	12	2.5	>0.9	30	87.5	395x290x200
40VAS-24030D1762		24	1.25		30	87.5	
40VAS-12040D1762		12	3.33		40	87.5	
40VAS-24040D1762		24	1.67		40	87.5	
40VAS-12060D1694		12	5		60	87.5	460x240x235
40VAS-24060D1694		24	2.5		60	87.5	
40VAS-12100D1693		12	8.34		100	88.5	415x325x205
40VAS-24100D1693		24	4.17		100	88.5	
40VAS-12150D1691		12	12.5		150	89	437x272x185
40VAS-24150D1691		24	6.25		150	89	
40VAS-12200D1692		12	16.7		200	89.5	
40VAS-24200D1692		24	8.34		200	89.5	
40VAS-12275D1453		12	22.92		275	90	340x305x292
40VAS-24300D1453		24	12.5		300	90	

**General Specifications**

Input Cable	3 Core Mains lead (No plug)
Output Cable	2 core cable (No plug)
Number of Outputs	1
Operating Temperature	-25~+60°C
Mounting Style	Metal Enclosure
Cable Length	200mm ± 20mm
Cable Type	VDE H03VV-F, VDE H05VV-F

**Input Specifications**

Rated Input Voltage	200~240Vac (±10%)
Rated Frequency	47~63Hz
Input Current	0.2~1.6A/230Vac
Inrush Current	Cold start: 50~65A/230Vac Model dependant
Leakage Current	<0.75mA/240Vac

**Output Specifications**

Ripple & Noise	12V:120mVp-p; 24V: 240mVp-p
Current Range	0-2.5A ~ 0-12.50A Model Dependant
Hold-up Time	15ms (at full load) @230Vac
Set-up Time	2000/3000ms, 50ms (at full load) 230Vac Model Dependant
Line Regulation	±0.5%~±1% Model Dependant
Load Regulation	±1% ~±2% Model Dependant

**Protection Specifications**

Overload	105%-135% of the rated output power, Hiccup mode, automatically recovers after fault conditions removed
Short Circuit	Protection type: Hiccup mode, recovers automatically after fault conditions removed
Over Voltage	Hiccup mode, recovers automatically after fault conditions removed
Over Temperature	Power off the output voltage, self-recovery when the temperature reduced

**Mechanical Specifications**

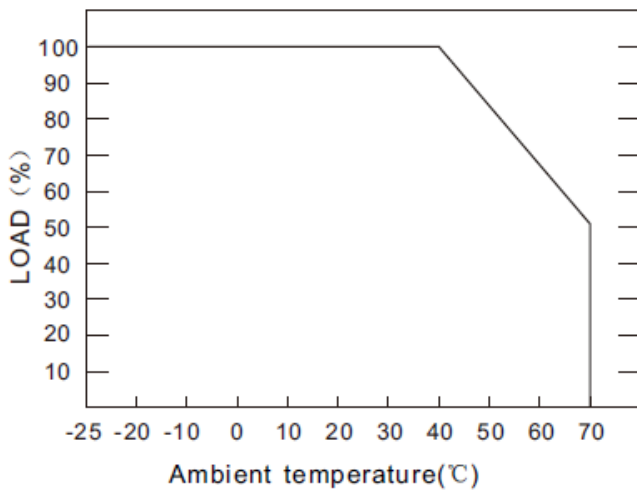
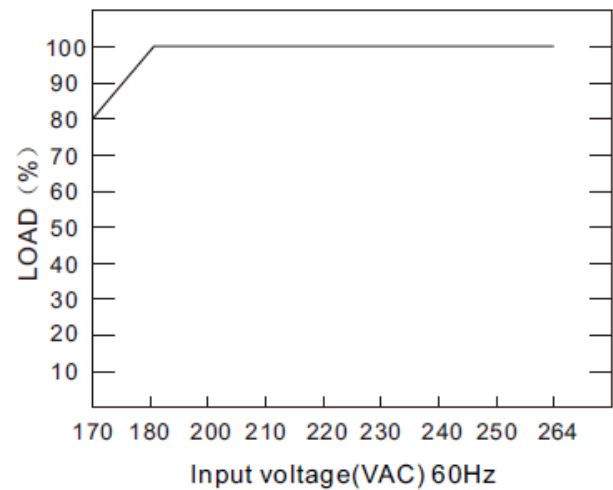
Housing Material	Aviation Class Metal Case
Overall Dimensions	Model Dependant

**Environmental Considerations**

Working Temperature	-25°C ~ +60 °C
Working Humidity:	10% ~ +95% - Non condensing
Storage Temperature	-25°C ~ +75°C
Relative Humidity	5% ~ 95%
Vibration	10-300Hz, 1G 10min./cycle, period for 60min. each along X, Y, Z axes

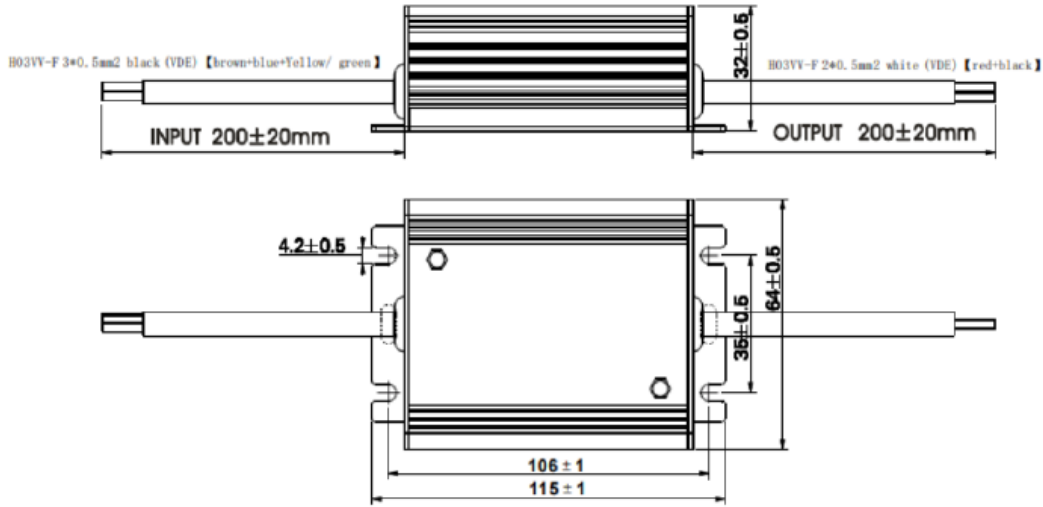
**Safety Approvals**

Compliance/Certifications	UKCA, CE, CB, IP67, SELV, RCM (C-Tick), Isolation, RoHS
Safety Standard	IEC 61347-1/IEC 61347-2-13
EMC Emission	Compliance to EN IEC 55015

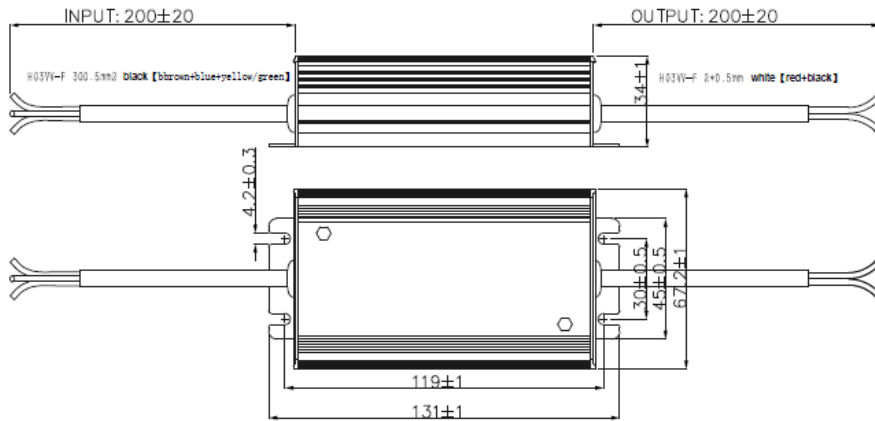
**Characteristic Curves**
**Derating Curve**

**Static Characteristics**


Mechanical Drawing

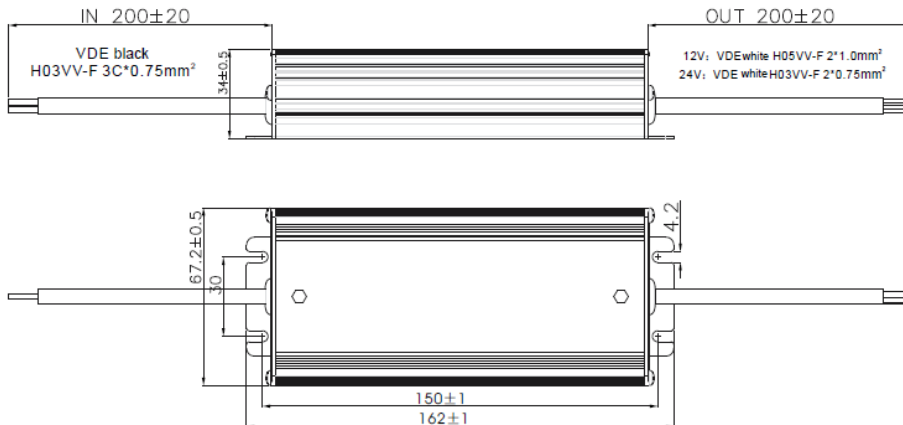
**40VAS-12030D0185, 40VAS-24030D0185, 40VAS-12040D0185, 40VAS-24040D0185**



**40VAS-12060D1694, 40VAS-24060D1694**



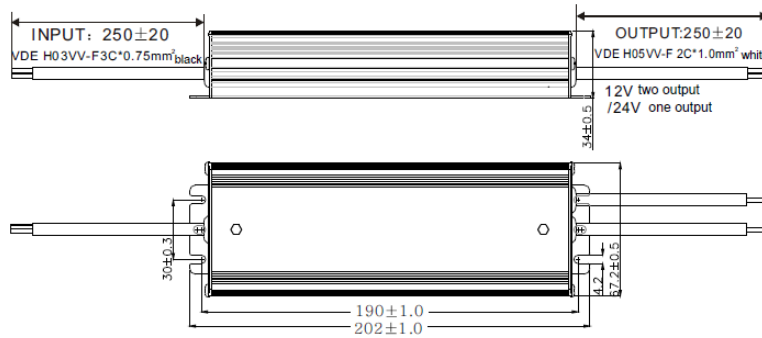
**40VAS-12100D1693, 40VAS-24100D1693**



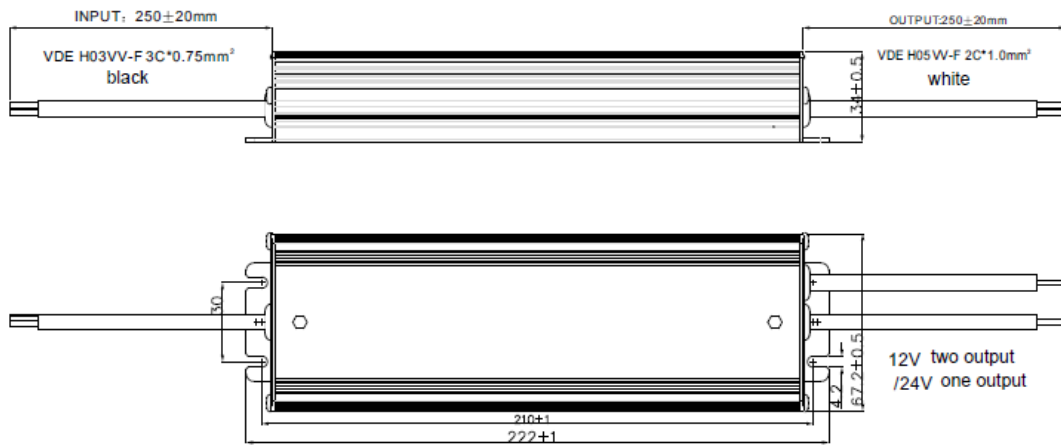
AC – DC

Mechanical Drawing

**40VAS-12150D1691, 40VAS-24150D1691**



**40VAS-12200D1692, 40VAS-24200D1692**



**40VAS-12275D1453, 40VAS-24300D1453**



AC – DC