

## Features

- Universal Input 90~264V AC and accepts AC & HVDC wide voltage range input.
- 80 PLUS platinum efficiency
- Operating ambient temperature range: -5°C ~ +55°C
- Active current sharing function
- N+M Intelligent redundancy N+M≤4 (N=3 max, M=2 max)
- EN/IEC/UL 62368-1 safety approved.
- Over-current alarm, OCP, SCP, OVP, UVP, OTP & fan-fault protection
- 5 years warranty



Ideal Power's 36LMS550-P12B 550W Enclosed AC/DC Power Supply (PSU) Series are certified to RoHS & EN 62368-1/IEC 62368-1/UL 62368-1 Standards and comply with the relevant Efficiency Regulations. These are primarily used in ITE, Audio & Video Industries and customised solutions are available upon request.

### Models

Part No.	Fan Operation Type	Output Power (W)	Nominal Output Voltage		Main Load		Auxiliary Load	Max. Capacitive Load (µF)	
			Main Circuit	Auxiliary Circuit	Min.	Max.	Typ.	Main Circuit	Auxiliary Circuit
36LMS550-P12B	Norma Airflow, From DC To AC	550W	12.2VDC	12.0VDC	1A	45A	3.0A	25000	3000

### Input Specifications

Parameter	Conditions	Min	Typ	Max	Unit		
Input Voltage Range	AC input	90	--	264	VAC		
	DC input	180	--	320	VDC		
Input Voltage Frequency	AC input	47	--	63	Hz		
Efficiency	TA=25°C, without Fan	Vin: 230VAC/50Hz	10% load	--	87	--	%
			20% load	--	92	--	
			50% load	--	94	--	
			100% load	--	91	--	
	Vin: 115VAC/60Hz	10% load	--	85	--		
		20% load	--	90	--		
		50% load	--	92	--		
		100% load	--	89	--		
Input Current	Vin=100Vac/60Hz Pout=550W	--	--	7	A		
	Vin=200Vac/50Hz Pout=550W	--	--	3.5			
Inrush Current	Vin=264Vac/50Hz Pout=550W Cold start	--	24	--			
Leakage Current	Vin=240Vac fin=50Hz			1.76	mA		

Power Factor	10%I <sub>max</sub> ≤ I <sub>o</sub> ≤ 20%I <sub>max</sub> @ Vin=230Vac/50Hz	0.92	--	--	
	20%I <sub>max</sub> < I <sub>o</sub> ≤ 50%I <sub>max</sub> @ Vin=230Vac/50Hz	0.98	--	--	--
	50%I <sub>max</sub> < I <sub>o</sub> ≤ 100%I <sub>max</sub> @ Vin=230Vac/50Hz	0.99	--	--	
ITHD	5%I <sub>max</sub> ≤ I <sub>o</sub> ≤ 10%I <sub>max</sub> @ Vin=230Vac/50Hz	--	--	20	
	10%I <sub>max</sub> < I <sub>o</sub> ≤ 20%I <sub>max</sub> @ Vin=230Vac/50Hz	--	--	15	%
	20%I <sub>max</sub> < I <sub>o</sub> ≤ 50%I <sub>max</sub> @ Vin=230Vac/50Hz	--	--	10	
	50%I <sub>max</sub> < I <sub>o</sub> ≤ 100%I <sub>max</sub> @ Vin=230Vac/50Hz	--	--	5	

### Output Specifications

Parameter	+12V			+12VSB			Unit
	Min.	Typ.	Max.	Min.	Typ.	Max.	
Rated Output Voltage	12.1	12.2	12.3	11.9	12	12.6	V
Steady State Output Voltage Range	11.8	12.2	12.6	11.4	12	12.6	
Dynamic Output Voltage Range	11.6	--	12.8	11.4	--	12.8	
Output Ripple & Noise*	--	--	120	--	--	120	mV
Output Current	1	--	45	0	--	3	A
Current Sharing Accuracy (@110W < P <sub>out</sub> < 275W)	--	--	10	--	NA	--	%
Current Sharing Accuracy (@275W ≤ P <sub>out</sub> ≤ 550W)	--	--	5	--	NA	--	
Hold-up Time	13	--	--	70	--	--	ms

Note: \*The "Tip and barrel method" is used for ripple and noise test, 20MHz bandwidth (peak-to-peak value), 25°C, output parallel 47uF electrolytic capacitor and 0.1uF ceramic capacitor, please refer to Server Power Test Specifications for specific information.

### Protective Characteristics ( +12V Output )

Parameter	Conditions	Min	Typ	Max	Unit
Over-current Alarm	20s after, the main output off	47	--	55	A
Over-current Protection		55	--	65	
Short-circuit Protection	+12V output short circuit does not affect the normal operation of +12VSB; The short-circuit protection mode is latching, reset by PSON, AC power off and restart for recovery				
Over-voltage Protection	Latching, reset by PSON, AC power off and restart for recovery	13.5	--	15.0	V
Under-voltage Protection	Self-recover	9.5	--	11	
Over-temperature Alarm Point		56	--	60	°C
Over-temperature Protection Point	Over-temperature protection hysteresis greater than 4°C	--	--	65	
Over-temperature Protection Release		55	--	--	
Fan-fault Protection	When the fan fails, the main output off				

### Protective Characteristics ( +12VSB Output )

Parameter	Conditions	Min	Typ	Max	Unit
Over-current Alarm	Alarm	3.2	--	4	A
Over-current Protection	Self-recovery	4	4.5	5	
Short-circuit Protection	+12V output short circuit does not affect the normal operation of +12VSB; The short-circuit protection mode is latching, reset by PSON, AC power off and restart for recovery				
Over-voltage Protection	Single operation, self-recover; parallel operation, latching, reset by PSON, AC power off	13.5	--	15.0	V

**LED Indicator Light**

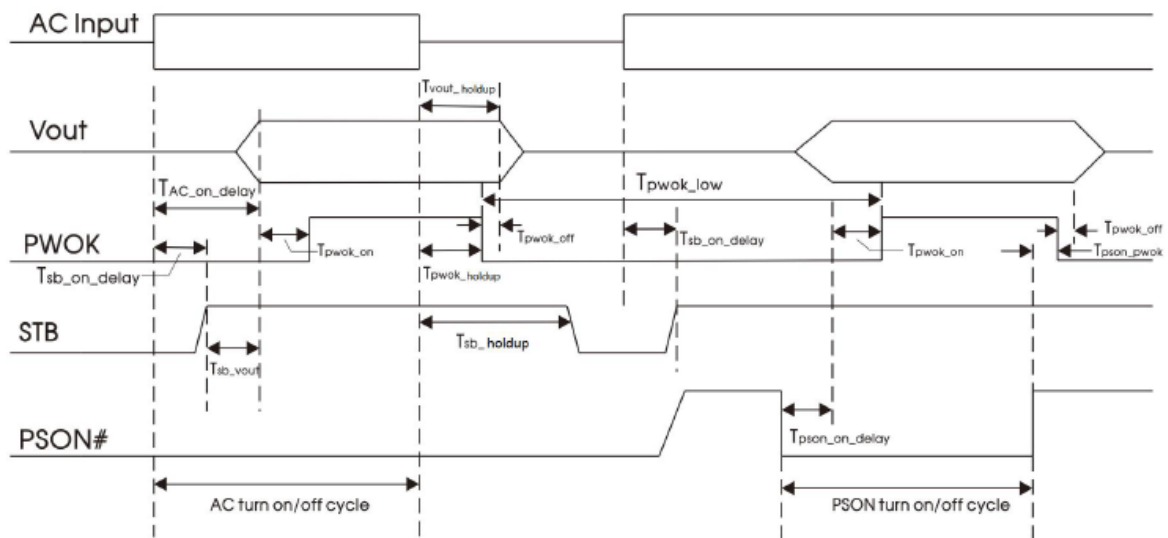
Power Status	Light Status
Power output normal	Green
All power supplies no AC input	Light off
AC input normal, only with +12VCS output or product in backup status	The green light flashes at a frequency of 1Hz
One product no AC input, the other one with AC input	Orange
Product failure lead to output off, such as OVP, OCP, Fan Fault	Orange
Product in alarm status but with output on	The orange light flashes at a frequency of 1Hz
Product enters Active-Standby mode	The green light flashes at a frequency of 2Hz

**Data Online Reading and Monitoring**

Item	Accuracy Range		
Output Load	<10%	10%-30%	30%-100%
Input Voltage	±3%	±3%	±3%
Input Current	NA	±0.5A	±10% or ±0.5A
Input Power	NA	±5%	±3%
Output Voltage	±5%	±3%	±3%
Output Current	NA	±10%	±5%
Output Power	NA	±10%	±5%

**Timing Definition**

Item	Description	Min.	Max.	Unit
Tvout_rise	Time for +12V output to rise from 0 to 10.8V	5.0	70	ms
	Time for +12VSB output to rise from 0 to 10.8V	1	25	
Tsb_on_delay	Time from AC power on to +12VSB output reaching at 10.8V	--	1500	
Tac_on_delay	Time from AC power on to +12V output reaching at 10.8V	--	2500	
Tvout_holdup	Time from AC power off to +12V output reaching at 10.8V	13	--	
Tpwok_holdup	Time from AC power off to PWOK signal decreasing	12	--	
Tpson_on_delay	Time from high to low of PSON# signal to +12V output reaching at 10.8V	5	400	
Tpson_pwok	Time from low to high of PSON# signal to PWOK signal becoming low-level	--	5	
Tpwok_on	Time from +12V output reaching at 10.8V to PWOK signal becoming high-level	100	500	
Tpwok_off	Time from PWOK signal becoming low-level to +12V output dropping to 10.8V	1	--	
Tpwok_low	Time from PWOK signal becoming low-level to when the PWOK signal increases through the PSON switch or AC restart	100	--	
Tsb_vout	Time from +12VSB output reaching at 10.8V to +12V output reaching at 10.8V	50	1000	
T12VSB_holdup	Time from AC power off to +12VSB output voltage dropping to 10.8V	70	--	

**Timing Diagram**

**General Specifications**

Item	Operating Conditions	Min.	Typ.	Max.	Unit	
Isolation Test	Input - Output	3000	--	--	VAC	
	Input - ⊕	1500	--	--		
Insulation Resistance	Input - Output	50	--	--	MΩ	
	Input - ⊕	50	--	--		
Operating Temperature	Ambient temperature: $25 \pm 5^\circ\text{C}$	-5	--	55	$^\circ\text{C}$	
Storage Temperature	Relative humidity: < 95%RH, no condensation Test	-40	--	70	$^\circ\text{C}$	
Operating Humidity	Non-condensing	--	--	90	%RH	
Storage Humidity		--	--	95	%RH	
Operating Altitude		--	--	5000	m	
Storage Ambient Height		--	--	15200	m	
Hot-plug	0.5m/s≤speed≤1m/s, the backplane voltage cannot exceed the dynamic specification of the power module during hot-plug process.	Vo	11.6	--	12.8	V
	Add 1000uF capacitive load at the output.	VSB	11.4	--	12.8	
Safety Standards		Design refer to UL/EN/IEC62368-1, GB4943.1				
MTBF	Rated Input, 100% Load@25°C Evaluate According to Telcordia SR-332			>500,000 h		
Communication Method	PMBus / I <sup>2</sup> C					
Warranty				5 years		

### Mechanical Specifications

Case Material	Metal (SGCC)
Dimensions	73.50mm x 185.00mm x 40.00/39.00mm ( W x D x H )
Weight	725g (Typ.)
Cooling method	Forced-air cooling
Fan Noise	25°C, the overall noise ≤70dB (measure at 0.5m)

Note: Product shell height 39mm, fan height 40mm.

### Electromagnetic Compatibility (EMC)

Emissions	CE	CISPR32/EN55032 CLASS A	
	RE	CISPR32/EN55032 CLASS A	
	Harmonic current	IEC/EN61000-3-2 CLASS A	
Immunity	ESD	IEC/EN 61000-4-2 Contact ±8KV/Air ±15KV	perf. Criteria A
	RS	IEC/EN 61000-4-3 10V/m	perf. Criteria A
	EFT	IEC/EN 61000-4-4 Input port: ±2KV	perf. Criteria A
		IEC/EN 61000-4-4 Output port: ±1KV	perf. Criteria A
	Surge	IEC/EN 61000-4-5 line to line ±1KV/line to ground ±2KV	perf. Criteria A
	CS	IEC/EN61000-4-6 3Vrms	perf. Criteria A
	Voltage dips, interruption	IEC/EN61000-4-11 0%, 70%	perf. Criteria A

### Functional requirements of black box

General requirements of black box	<p>It is necessary to record the alarm when the output is turned off and the input power is down, the alarm status and the time of the fault occur are stored, and the important physical quantities at the fault site are saved and queried, including not limited to input voltage, output voltage, output current, temperature, fan speed, etc. Use the circular storage method (the black box information is written on the current index number +1 in case of failure, and when the index number is "record 9", the next line is written to "record 0"). Support the host to query fault records one by one. Support the host to query the latest input power failure time.</p> <p>Support host timing. The host needs to send the system time (time according to the Unix standard) to the power module, and the send it again every 10 minutes for the time synchronization of the power module. If the host is not timed, the time in the power supply is equivalent to the entire cumulative time of power supply work.</p>				
Storage and reading mechanism of black box records	<p>Described from the time dimension, it is divided into the following stages:</p> <p>Power-up initialization stage After powering on, read the historical fault of the EEPROM record into the cache, and the time is initialized to the last fault record plus 3 seconds.</p> <p>Fault site storage stage The upper computer timings the power time (10min/time), when the output is turned off, the enabling fault record mark writes all the fault scene data to the EEPROM to generate a fault record.</p> <p>Fault data reporting stage When the upper computer queries the alarm log, each time a single query is made, the lower computer takes the corresponding data from the EEPROM storage area and uploads it all to the upper computer.</p>				
Black box reading protocol	Command	Name of the command	Data reading type	Data bytes	Description of the order
	D2h	MFR_READ_BLACK_BOX	Block Read	100	Power supply black box query, Reading: multi-byte (fault record information, you need to write the fault index before reading, 0-9, 0 is the latest record. 9 is the earliest record)
	D3h	MFR_READ_BLACK_BOX_INDEX	Write Byte	1	Write: single byte (request to read the index of the fault record)

The power module needs to be time synchronized through host:

System timing mechanism in the black box

- 1) Product: -- Synchronization
  - Time to send the power module every 10 minutes
  - The time to send is in seconds
- 2) Power supply: -- The initialization time of one power on is equal to the last failure time +3 seconds
  - Time synchronization of accepting products
  - Interrupt timing, every 1second, the counter is increased by 1, and the time unit is seconds

The timing time (time according to the Unix standard) is the number of seconds relative to the base time. The delivery time under the host will be sent to the power supply from the number of seconds from the base time to the current time. The time read in the alarm log is the number of seconds from the base time of the alarm. If the host is not given time, the running time of the power supply will increase by seconds, and the power drop needs to be saved.

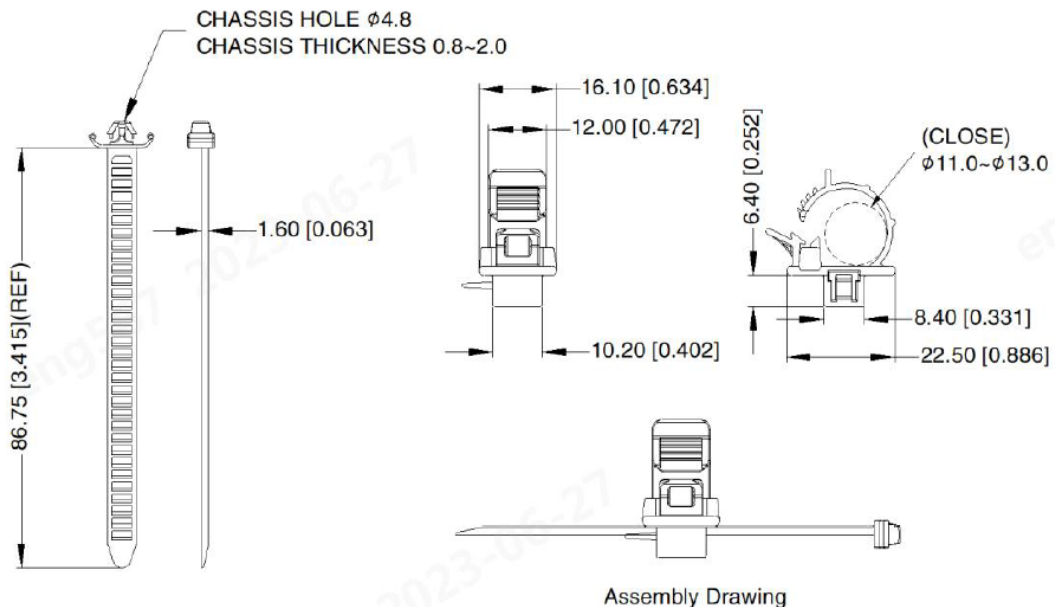
Black box data content

The black box records the real-time physical quantity and state data of the scene. The storage content is divided into two parts: the head and the data department. Each record contains 100 bytes of data.

### Gold-finger Definition

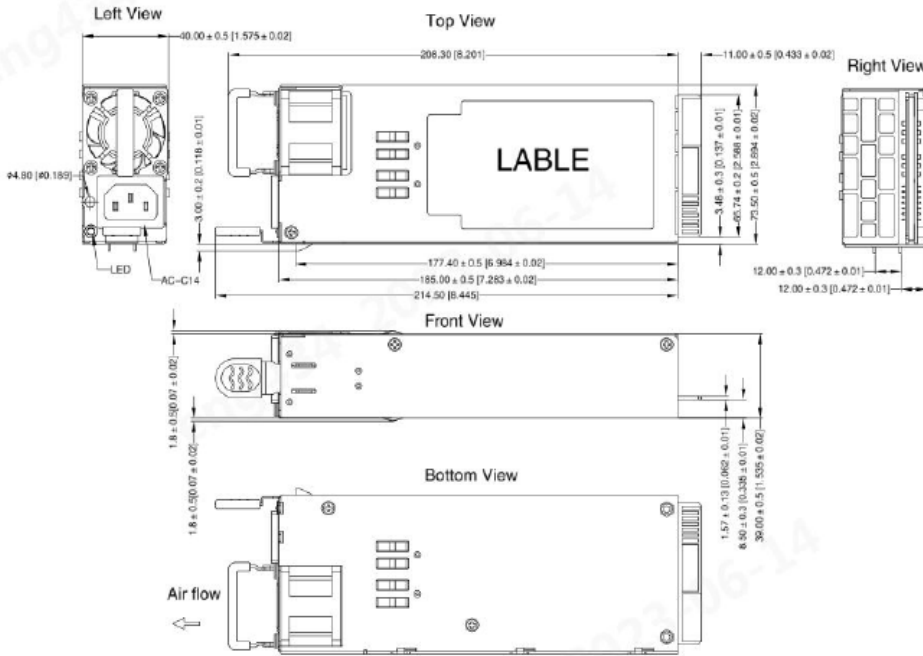
Output Terminal	Definition	Output Terminal	Definition
A1-A9	SGND	B1-B9	SGND
A10-A18	+12V	B10-B18	+12V
A19	PMBus_SDA	B19	A0
A20	PMBus_SCL	B20	A1
A21	PSON	B21	+12VSB
A22	SMBAlert#	B22	SMART_ON
A23	+12V Return sense	B23	+12V_Sharebus#
A24	+12V Remote sense	B24	PRESENT#
A25	PWOK	B25	A2


### Recommended Tie Type

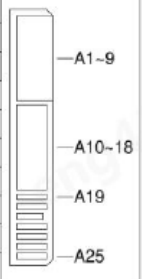


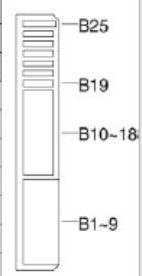
## Dimensions and Recommended Layout

THIRD ANGLE PROJECTION 



AC-C14 Pin-Out		Picture
Pin	Mark	 1 2 3
1	AC(L)	
2	⊖	
3	AC(N)	

Goldfinger Pin-Out(Top)		Picture
Pin	Mark	 A1-9 A10-18 A19 A25
A1-9	SGND	
A10-18	+12.2V	
A19	PMBus_SDA	
A20	PMBus_SCL	
A21	PSON	
A22	SMBAlert#	
A23	+12V_Return sense	
A24	+12V_Remote sense	
A25	PWOK	

Goldfinger Pin-Out(Bottom)		Picture
Pin	Mark	 B25 B19 B10-18 B1-9
B1-9	SGND	
B10-18	+12.2V	
B19	A0	
B20	A1	
B21	+12VSB	
B22	SMART_ON	
B23	+12V_Sharebus#	
B24	PRESENT#	
B25	A2	

Note:  
Unit: mm[inch]  
General tolerances:  $\pm 2[\pm 0.078]$

### Note:

- For additional information on Product Packaging please refer to [www.idealpower.co.uk](http://www.idealpower.co.uk)
- Unless otherwise specified, parameters in this datasheet were measured under the conditions of  $T_a=25^\circ\text{C}$ , humidity  $<75\%RH$  with nominal input voltage and rated output load.
- The room temperature derating of  $1^\circ\text{C}/300\text{m}$  is needed for operating altitude greater than 2000m.
- All index testing methods in this datasheet are based on our company corporate standards.
- To improve the efficiency at high input voltage, there will be audible noise generated, but it does not affect product performance and reliability.
- We can provide product customization service, please contact our technicians directly for specific information.
- Products are related to laws and regulations: see "Features" and "EMC".
- The out case needs to be connected to PE ( $\oplus$ ) of system when the terminal equipment in operating.
- Our products shall be classified according to ISO14001 and related environmental laws and regulations and shall be handled by qualified units.
- The power supply is considered a component which will be installed into a terminal equipment. All EMC tests should be confirmed with the final equipment. Please consult our FAE for EMC test operation instructions.