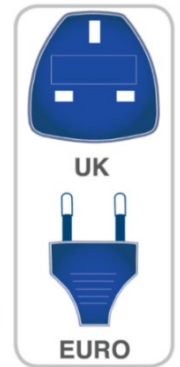




Features

- Universal input 100-240VAC
- Output Power: 96-168W
- Aluminium Enclosure
- Approved to UKCA, CE
- LVD & EMC Class B Certified, RoHS & REACH compliant
- 24V Lead Acid 3 Stage Control (Fast/Normal/Float)
- OVP, OCP, OTP & Short Circuit



Ideal Power's 31ACXX24A-RS Range of 24V Lead Acid Battery Chargers Series are certified to UKCA, CE, RoHS, REACH & EN 62368-1 Standards and comply with the relevant Efficiency Regulations. These are primarily used in ITE, Audio & Video Industries and customised solutions are available upon request.

Models	31AC0424A-RS	31AC0524A-RS	31AC0724A-RS
Input Voltage	115V / 230V Auto Switch		
Input Frequency	47Hz ~ 63Hz		
Output Max Current	4Amp	5Amp	7Amp
Output Power	96W	120	168
Output Equalizer	29.2V +/- 0.2V (Can be order specific)		
Output Float	27.4V +/- 0.2V (Can by order specific)		
Battery Application	Lead Acid Battery		
LED - Power	Red		
LED - Charging	Orange		
LED - Fully Charged	Green		
Mains Lead	1.8M EURO Plug + 1.8M UK fuse Plug		
DC Cable	SPT2 2C 18AWG at 1.2M Mount clips		
Dimensions	180 x 88 x 47 (LxWxH) mm		
Weight	0.8 (Kgs)		

Specifications subject to change without notice.

Applications

- | | | | |
|-------------------------|-----------------------------|-----------------------------|--------------------------|
| Ⓞ Communication devices | Ⓞ Power generators | Ⓞ UPS | Ⓞ Power Inverters |
| Ⓞ Vacuums Pumps | Ⓞ Sailing boats | Ⓞ Fork-lift | Ⓞ Ambulance |
| Ⓞ Fire trucks | Ⓞ Emergency vehicles | Ⓞ Electrical car & bicycles | Ⓞ Mobile command centres |
| Ⓞ Household items | Ⓞ Communication Equipment's | Ⓞ Automobiles | |

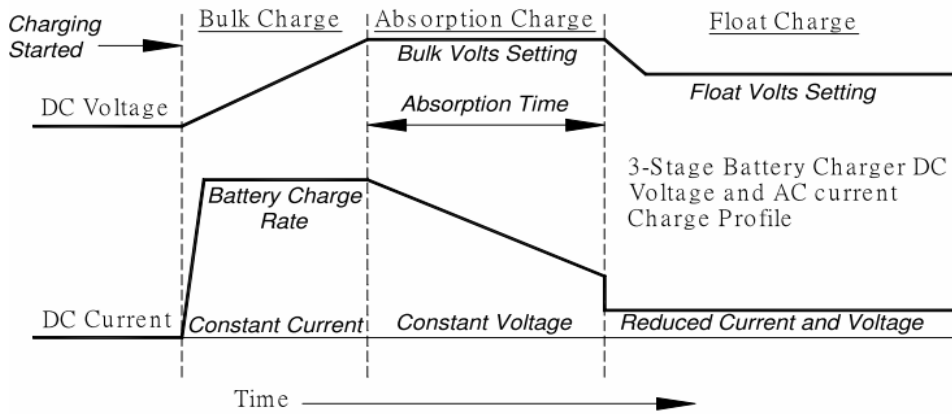
Ideal Power Limited

14 Larks Way, Tree Beech Enterprise Park, Gunn, Barnstaple, Devon, England, EX32 7NZ.

www.idealpower.co.uk | +44 (0) 845 260 3400

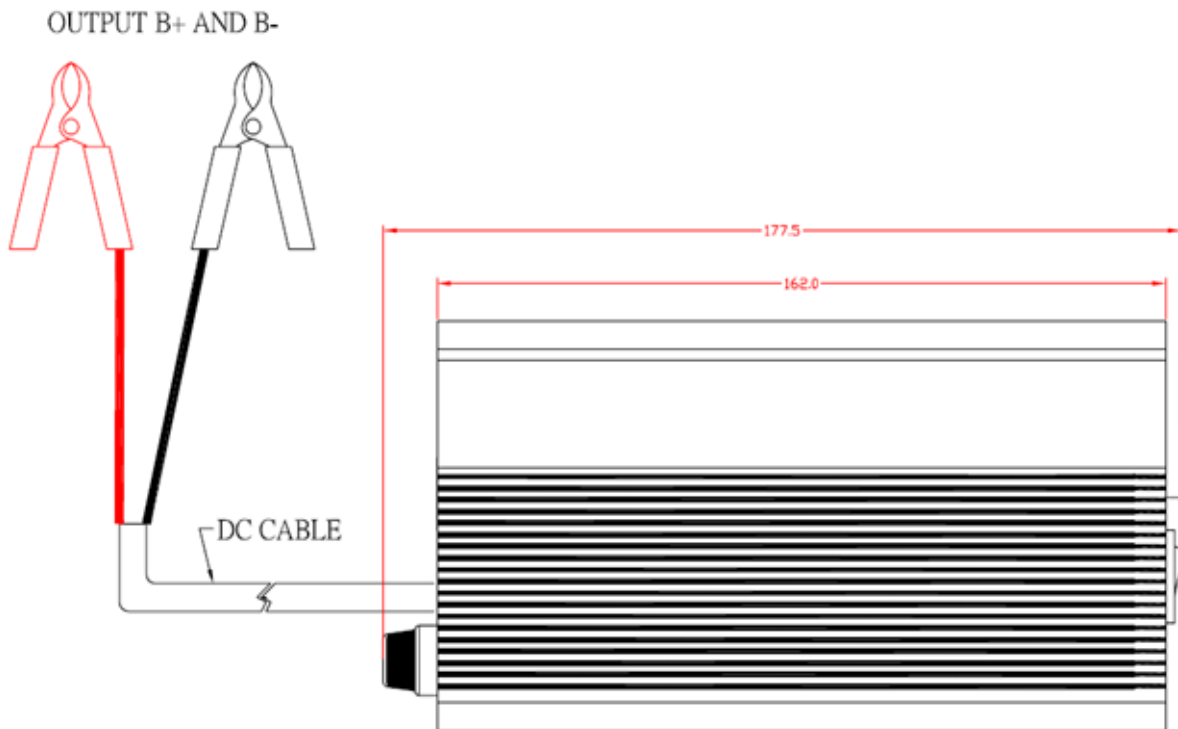


Three Steps of Charging & Charge Curve



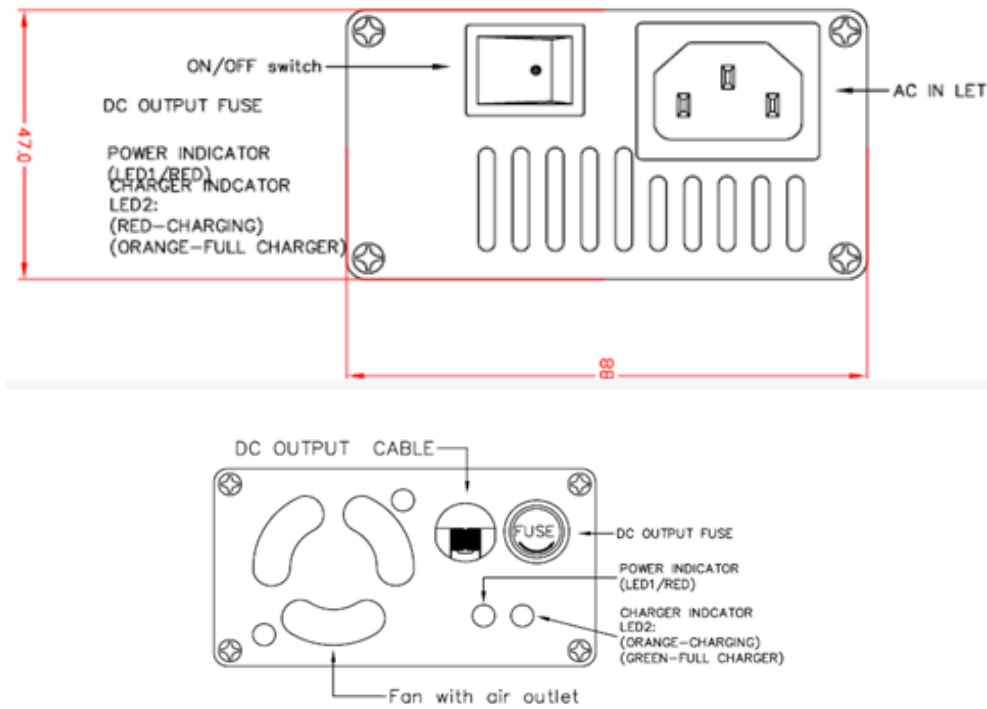
Step 1	Bulk charge – bring batteries to 75% capacity fast. During this stage charging occurs at full power, which means maximum current, until the battery voltage reached the set limit.
Step 2:	Absorption Charge, boost – slow the current flow, adjusting for maximum efficiency and gently topping off batteries. During absorption charging the current decreases as the battery approached full charge.
Step 3	Trickle Charge – for longer period, maintains fully charged batteries without harmful effects of overcharging and cooking. Trickle charge is intended to keep the battery in a fully charged state and compensates for self-discharge. When the current reaches setting point the battery switches to a maintenance charge at a constant voltage. Should the battery be in use and the charge current Subsequently exceed setting point the charger will automatically return to the beginning of the three-step charge characteristic.

Case Drawing

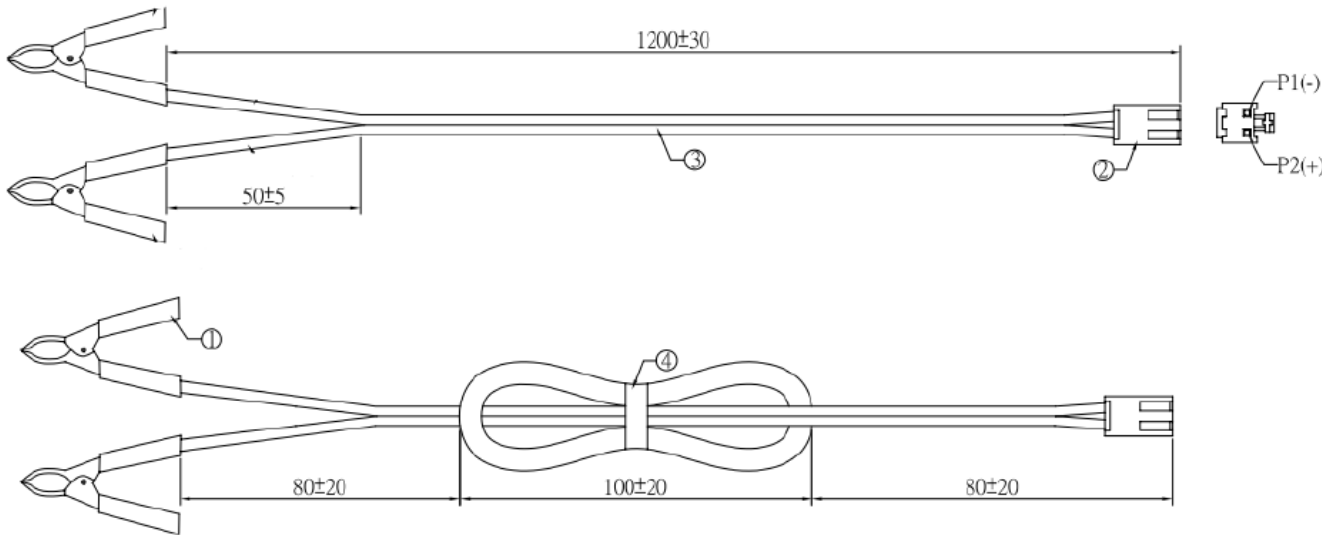




Case Drawing (continued)



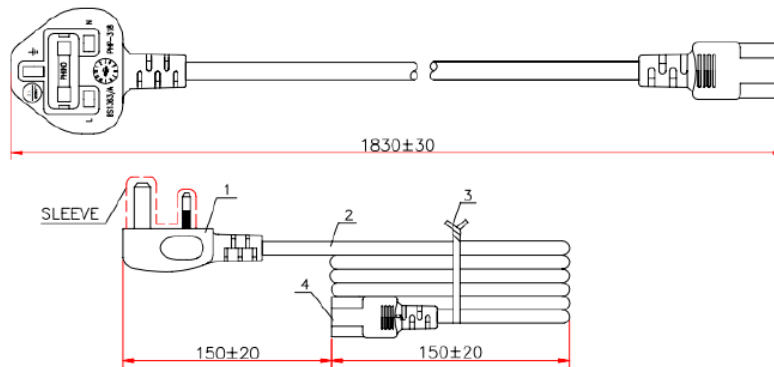
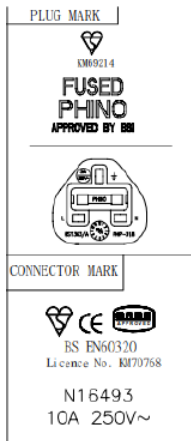
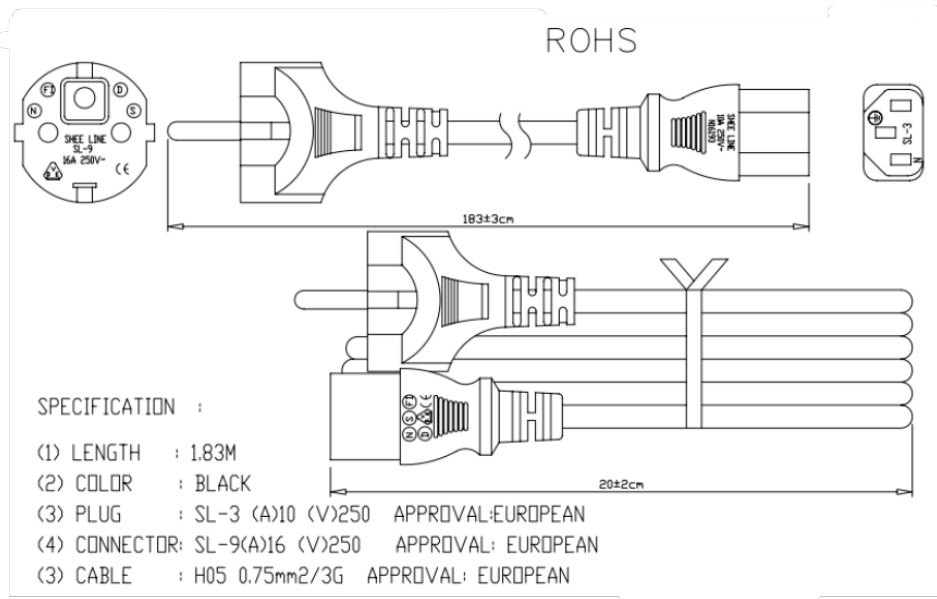
Cables



AC - DC

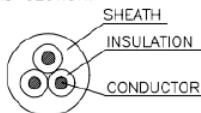


Cables (continued)



1. PVC MOLDED PLUG: PHP-318 (FUSE=3A; BLACK)
 2. PVC FLEXIBLE CORD: H05W-F 3X0.75MM² (BLACK)
 3. ELLIPTIC TIE (BLACK)
 4. PVC MOLDED CONNECTOR: PHS-301 (BLACK)
- NOTE: ALL MATERIALS ARE ROHS COMPLIANCE

CORD SECTION:



CORD MARKING:

PHINO Cabo H05W-F 3X0.75mm² <VDE> KEMA-KEUR IEMMEQU +++++ <VDE>

CEBEC (S) (N) (D) (F) SABS SANS 60227-5 60227 IEC 53 300/500V CE Cn -LF-

ROLL NO.123... CHINA FACTORY