

## Features

- Universal input 100~240V AC
- Operating Temperature Range: 0~40°
- Lugged Desktop Power Supply (PSU)
- Approved to UKCA, CE, cULus, TUV, RCM (C-Tick), RoHS & REACH
- Safety standards to IEC/EN/UL 62368-1
- EMC EN61000-3-2, EN55032 Class B
- Single Output 9~24V DC
- OVP, OCP, OTP & Short Circuit



Ideal Power's 23SW-xyz-S10 18W AC/DC Lugged External Desktop Power Supply (PSU) Series are certified to UKCA, CE, TUV, RCM (C-Tick), RoHS, REACH & UL/IEC/EN 62368-1 Standards and comply with Efficiency Regulations. These are primarily used in ITE, Audio & Video Industries and customised solutions are available upon request.

### Models

Model Number	Output Voltage	Output Current	Output Power
23SW-00090200-S10	9V DC	2A	18W
23SW-00120100-S10	12V DC	1A	18W
23SW-00120150-S10	12V DC	1.5A	18W
23SW-00150120-S10	15V DC	1.2A	18W
23SW-00180100-S10	18V DC	1A	18W
23SW-00240075-S10	24V DC	0.75A	18W

### Input Specifications

	Min	Typ	Max	Unit	Notes
Input voltage	90		264	V AC	100-240VAC +/- 10%
Input frequency	47		63	Hz	50-60Hz +/- 5%
Input current			0.5	A	At full load
Input inrush current			50	A	At cold start, 100/ 240V AC
Leakage current			0.25	mA	

**Output Specifications**

	Min	Typ	Max	Unit	Notes
Output voltage accuracy		5		%	
Ripple & Noise		120		mV	
Over current protection					OCP Limits to 120~150& Auto Start. PSU will auto recover after OC.
Short circuit protection					Continuous SCP. Will recover if fault condition is removed
Over voltage protection					Will recover if fault condition is removed

**Environmental Data**

	Min	Typ	Max	Unit	Notes
Operating temperature	0		+40	°C	
Storage temperature	-40		+85	°C	
Relative humidity	5		95	%	Operating 10% to 90%
Storage humidity	10		90	%	Storage 5% to 95%

**Other Information**

	Min	Typ	Max	Unit	Notes
MTBF		50,000		hrs	At 25°C, Full load and nominal
Weight					200 +/-10g Depending on model
Dimensions					Refer to mechanical drawings

**EMC Emissions (2014/30/EU)**

	Standard	Test Level	Criteria	Notes
Conducted	EN55032	Class B		EMC Directive 2014/30/EU
Radiated	EN55032	Class B		
Harmonic	EN61000-3-2	Class D		P.F. shall >0.95 @100Vac input and >0.9 @240Vac input

**EMC Immunity (2014/30/EU)**

	Standard	Test Level	Criteria	Notes
EMS	EN55032			
EMS	EN61204-3			
ESD	IEC61000-4-2			
RS	IEC61000-4-3			
EFT	IEC61000-4-4			
Surge	IEC61000-4-5			

## Safety Approvals

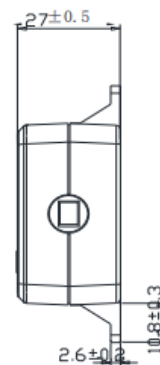
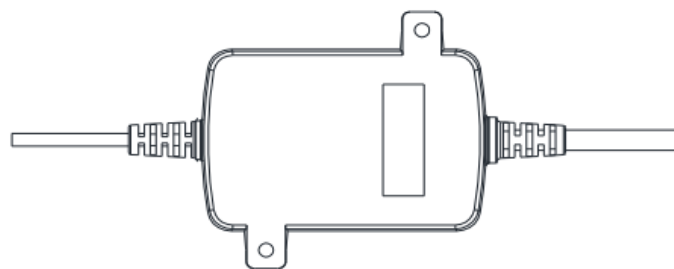
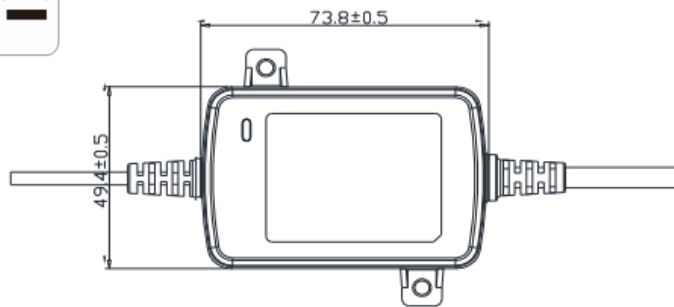
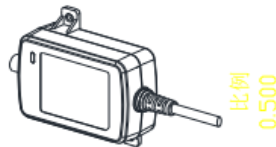
Safety Standards	
RoHS/REACH	RoHS Directive (EU) 2015/863 & REACH (209 SVHC)
CE LVD Directive 2014/35/EU	62368-1
FCC	Yes
cURus	Yes (US)
TUV	Yes
RCM & C-Tick	Yes

## Mechanical Drawing

**iP** AC/DC ADAPTER  
IDEALPOWER

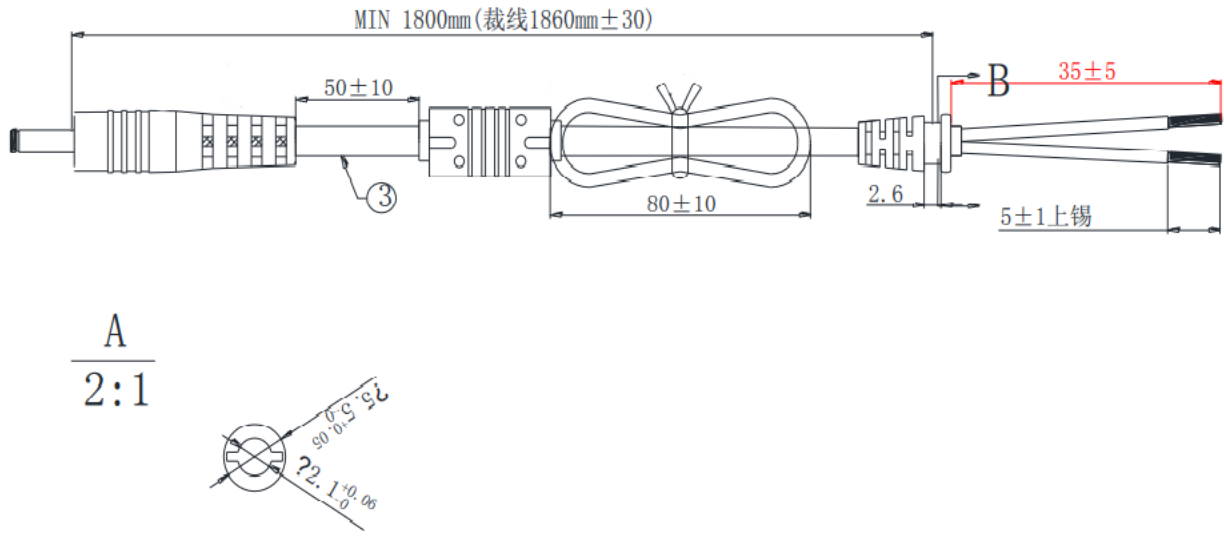
MODEL: SW-00150120-S10  
 INPUT: 100-240V~50/60Hz 0.5A  
 OUTPUT: 15V = 1.2A

MADE IN CHINA



AC - DC

**Cord Drawing**



**Plug Drawing**

