

Features

- Universal input 100-240VAC
- Direct EURO Fixed Plugtop Adapters
- Approved to UKCA, CE, TUV-GS, RoHS, REACH
- Safety standards to UL/IEC 62368-1
- Meets Efficiency Level VI
- EMC FCC Class B Certified
- Single Output 12 - 24V DC
- OVP, OCP, OTP, SCP



Ideal Power's 15DYS850-xyW-2-RS 50W AC/DC External Adapter EURO Plugtop Power Supply (PSU) Series are certified to UKCA, CE, TUV-GS, RoHS, REACH & EN 62368-1/IEC 62368-1 Standards and comply with (EU) 2019/1782, Level VI Efficiency Regulations. These are primarily used in ITE, Audio & Video Industries and customised solutions are available upon request.

Models

Model Number	Output Voltage V DC	Output Current Amps	Output Power W	Efficiency %
15DYS850-120420W-2-RS	12	4.2	50.4	88
15DYS850-150336W-2-RS	15	3.36	50.4	88
15DYS850-240210W-2-RS	24	2.10	50.4	88

Input Data

	Min	Typical	Max	Units	Notes
Input Voltage	90	--	264	V AC	100-240VAC +/- 10%
Input Frequency	47	--	63	Hz	50-60Hz +/- 5%
Input Current	--	--	1.3	A	
Inrush Current	0	--	80	A	At cold start, 100 / 240V AC
Leakage Current	--	--	0.25	mA	

Output Data

	Min	Typical	Max	Units	Notes
Output Voltage	11.4	--	22.5	V	
Ripple & Noise	150	--	240	mVpp	
Turn - on Delay Time	--	--	3	S	@ 100 Vac to 240 Vac input & Full load
Hold-up Time	5	--	--	mS	@ Full load & 100Vac/60Hz input turn off at worst case
Over Current Protection	2.73	--	5.64	A	Over Current Point Limited
Short Circuit Protection					Continuous short circuit proof. Will recover if fault condition is removed
Over Voltage Protection					Will recover if fault condition is removed

Environmental Data

	Min	Typical	Max	Units	Notes
Operating Temperature	0		+40	°C	
Storage Temperature	-20		+80	°C	
Operating Humidity	10		90	°C	Operating 10% to 90%
Storage Humidity	5		95	°C	Storage 5% to 95%

Other Information

	Min	Typical	Max	Units	Notes
MTBF		50,000		hrs	At 25°C, Full load, and nominal
Burn in					At least 4 Hours under normal input and 80% rated load at 40°C ± 5°C
Dimensions					83.5x52x69.8mm

EMC Emissions (2014/30/EU)

	Standard	Test Level	Criteria	Notes
Conducted	EN 55032	Pass	B	EMC Directive 2014/30/EU
Radiated	EN 55032	Pass	B	
Harmonic Standard	EN 61000-3-2		Class D	P.F. shall >0.95 @100Vac input and >0.9 @240Vac input

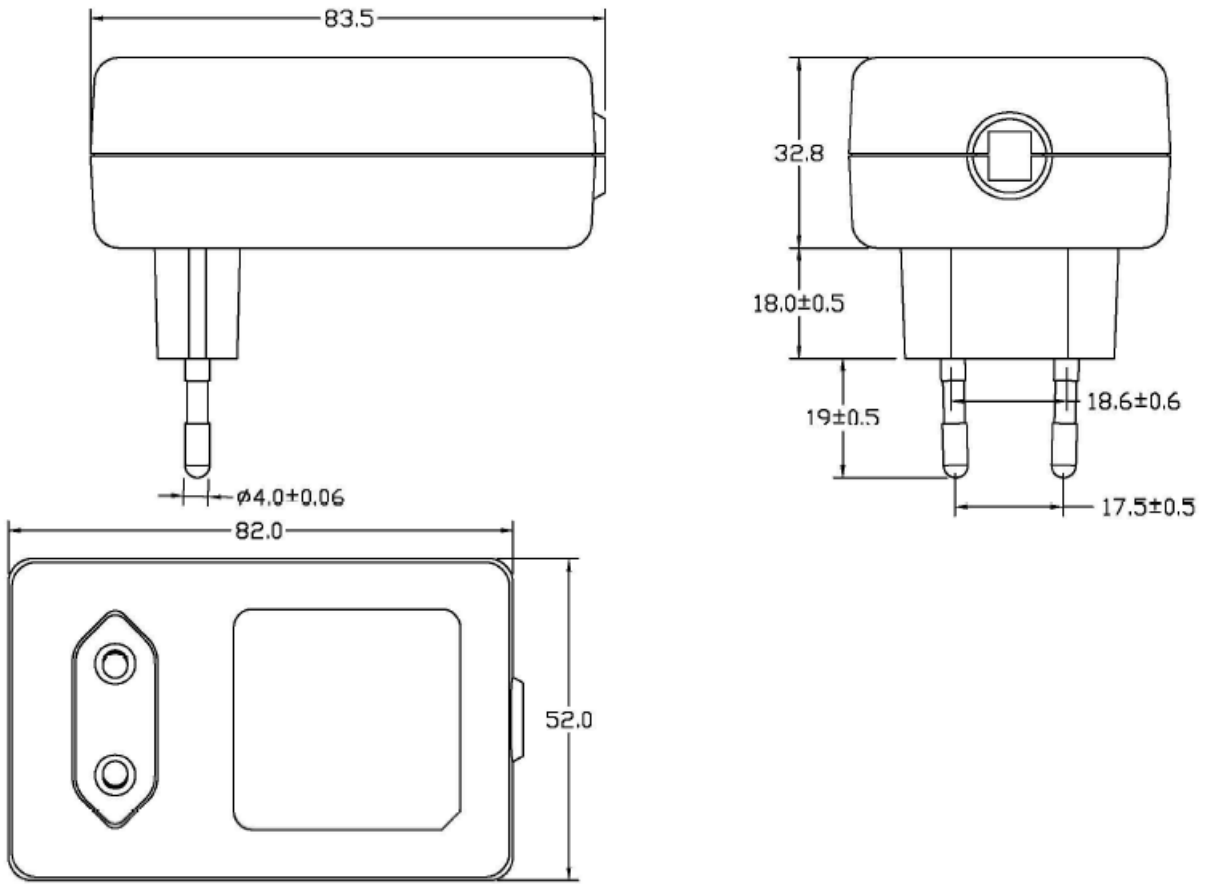
EMC Immunity (2014/30/EU)

	Standard	Test Level	Criteria	Notes
EMS	EN 55035			
EMS	EN 61204-3			
ESD	IEC 61000-4-2		B	Contact: +/- 4KV; Air: +/- 8KV
EFT	IEC 61000-4-4		A/B	0.5/1.0KV on input AC power ports
Surge	IEC 61000-4-5		A	Line to Line: +/- 2KV (peak); Line to F.G: +/- 2KV (peak)

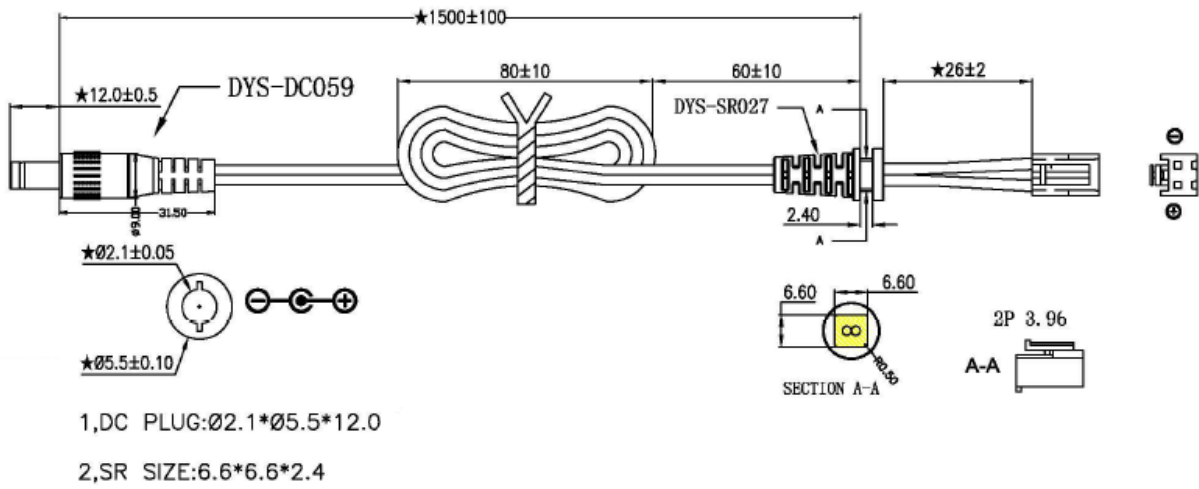
Safety Approvals

	Safety Standards
RoHS/REACH	RoHS Directive (EU) 2015/863 & REACH (205 SVHC)
CE LVD Directive 2014/35/EU	Yes (UK/European)

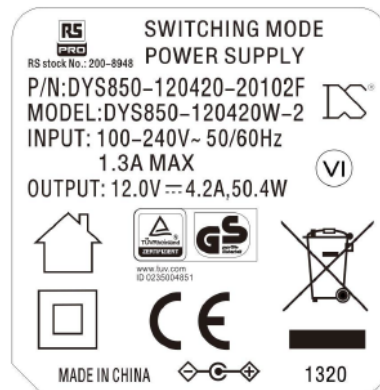
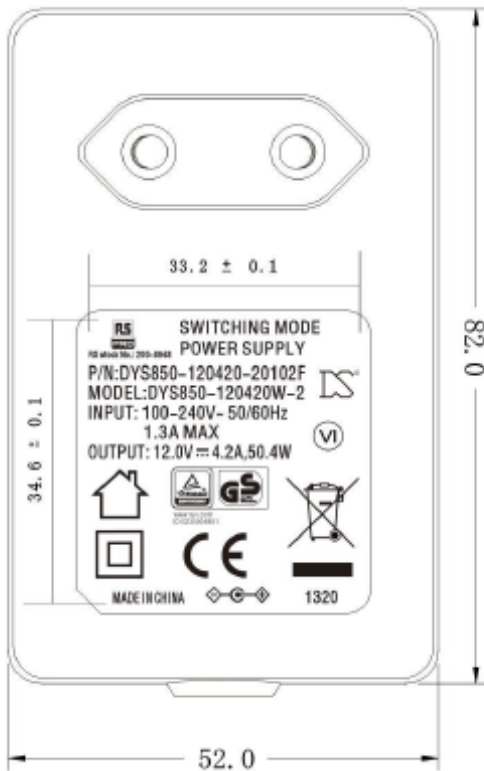
Mechanical Drawing



Mechanical Drawing



Label



AC - DC