

Features

- Universal input 100-240VAC
- Direct Euro Fixed Plugtop Adapters
- Approved to TUV-GS, CE, RoHS & REACH
- EN/IEC 62368-1 Safety Approved
- Meets Efficiency Level VI & (EU) 2019/1782
- FCC Class B Certified
- Single Output 5-30V DC
- OVP, OCP, OTP, SCP



Ideal Power's 15DYS830-xyW-2-2.5 30W AC/DC External Adapter EURO Plugtop Power Supply (PSU) Series are certified to TUV-GS, CE, RoHS, REACH & UL/IEC/EN 62368-1 Standards and comply with (EU) 2019/1782, Level VI Efficiency Regulations. These are primarily used in ITE, Audio & Video Industries and customised solutions are available upon request.

Models

Model Number	Output Voltage (VDC)	Output Current (A)	Output Power (W)
15DYS830-050400W-2-2.5	5	4	20
15DYS830-075320W-2-2.5	7.5	3.2	24
15DYS830-090300W-2-2.5	9	3	27
15DYS830-120250W-2-2.5	12	2.5	30
15DYS830-150200W-2-2.5	15	2	30
15DYS830-180166W-2-2.5	18	1.66	30
15DYS830-240125W-2-2.5	24	1.25	30
15DYS830-300100W-2-2.5	30	1	30

Input Data

	Min	Typical	Max	Units	Notes
Input Voltage	90		264	V AC	100-240VAC +/- 10%
Input Frequency	47		63	Hz	50-60Hz +/- 5%
Input Current		0.8		A	
Inrush Current	0		60	A	At cold start, 100 / 240V AC
Leakage Current			0.25	mA	

Output Data

	Min	Typical	Max	Units	Notes
Output Voltage	--	5	--	%	
Ripple & Noise	--	1	--	%	
Over Current Protection	Typically, 115-135% of Rated Current				
Short Circuit Protection	Continuous short circuit proof. Will recover if fault condition is removed				
Over Voltage Protection	Will recover if fault condition is removed				

Environmental Data

	Min	Typical	Max	Units	Notes
Operating Temperature	0	--	+45	°C	
Storage Temperature	-20	--	+80	°C	
Operating Humidity	10	--	90	%	Operating 10% to 90%
Storage Humidity	5	--	95	%	Storage 5% to 95%

Other Information

	Min	Typical	Max	Units	Notes
Isolation	--	--	--		2KVdc, between primary and secondary circuit
MTBF	--	50,000	--	hrs	
Weight				200 +/-10g	
Dimensions					Refer to mechanical drawings

EMC Emissions (2014/30/EU)

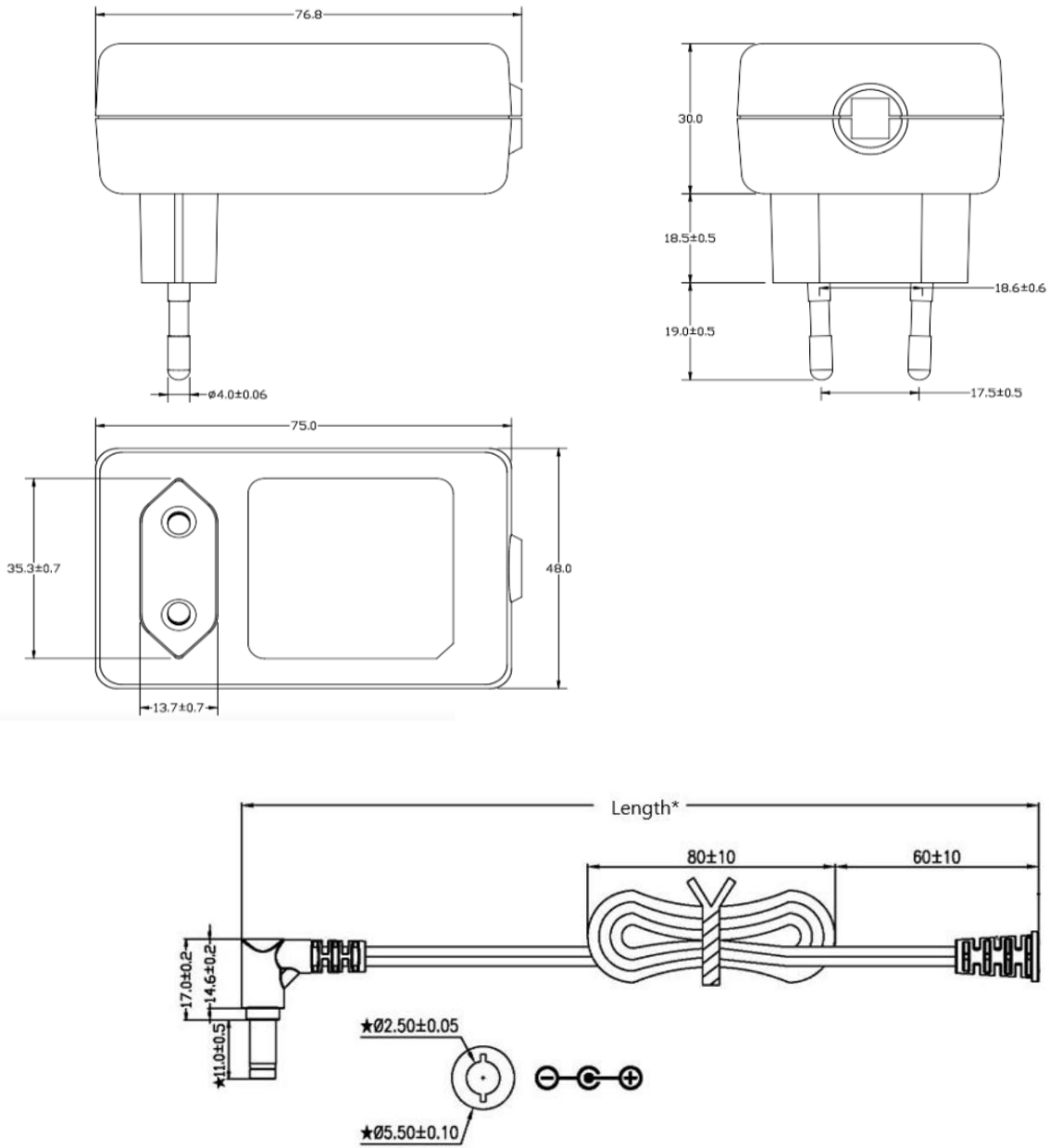
	Standard	Test Level	Criteria	Notes
Conducted	EN 55032	Pass	B	EMC Directive 2014/30/EU
Radiated	EN 55032	Pass	B	
Harmonic Standard	EN 61000-3-2		Class D	P.F. shall >0.95 @100Vac input and >0.9 @240Vac input

EMC Immunity (2014/30/EU)

	Standard	Test Level	Criteria	Notes
EMS	EN 55035			
EMS	EN 61204-3			
ESD	IEC 61000-4-2		B	Contact: +/- 4KV; Air: +/- 8KV
RS	IEC 61000-4-3			Frequency: 80-1000MHz; Field Strength: 3V/M ' 80% AM (1KHz)
EFT	IEC 61000-4-4		A/B	0.5/1.0KV on input AC power ports
Surge	IEC 61000-4-5		A	Line to Line: +/- 1KV (peak); Line to F.G: +/- 2KV (peak)
Conducted				
PfMF				
Dips and Interruptions				

Safety Approvals

	Safety Standards
RoHS/REACH	RoHS Directive (EU) 2015/863 & REACH (205 SVHC)
CE LVD Directive 2014/35/EU	Yes (UK/European) – Only applicable for UK & EURO plugs. (-1) (-2)
cULus	Yes – Only applicable for US plug. (-1)
TUV	Yes (German/European) – Only applicable for EURO plug. (-2)
RCM & C-Tick	Yes – Only applicable for Australian plug. (-4)

Mechanical Drawing


Model Number	Output Cable
15DYS830-050400W-2-2.5	1.2m UL2468
15DYS830-075320W-2-2.5	1.2m UL2468
15DYS830-090300W-2-2.5	1.5m UL2468
15DYS830-120250W-2-2.5	1.5m UL2468
15DYS830-150200W-2-2.5	1.5m UL2468
15DYS830-180166W-2-2.5	1.5m UL2468
15DYS830-240125W-2-2.5	1.5m UL2468
15DYS830-300100W-2-2.5	1.5m UL2468