

## Features

- Universal input 90~264V DC
- Direct EURO fixed Plugtop Adapter
- Approved to TUV-GS, CE, RoHS & REACH
- IEC/EN 62368-1 Safety Approved
- Meets Efficiency Level VI & (EU) 2019/1782
- EMC Class B Certified
- Single Output 5-30V DC
- OVP, OCP, OTP & Short Circuit



Ideal Power's 15DYS824-xyW-2 24W AC/DC External Adapter EURO Plugtop Power Supply (PSU) Series are certified to TUV-GS, CE, RoHS, REACH & IEC/EN 62368-1 Standards and comply with (EU) 2019/1782, Level VI Efficiency Regulations. These are primarily used in ITE, Audio & Video Industries and customised solutions are available upon request.

### Models

Model Number	Output Voltage	Output Current	Output Power
15DYS824-050400W-2	5VDC	4A	20W
15DYS824-075280W-2	7.5VDC	2.8A	21W
15DYS824-090250W-2	9VDC	2.5A	22.5W
15DYS824-120200W-2	12VDC	2A	24W
15DYS824-150160W-2	15VDC	1.6A	24W
15DYS824-180133W-2	18VDC	1.33A	24W
15DYS824-240100W-2	24VDC	1A	24W
15DYS824-300080W-2	30VDC	0.80A	24W

### Input Data

	Min	Typical	Max	Units	Notes
Input Voltage	90		264	V AC	100-240VAC +/- 10%
Input Frequency	47		63	Hz	50-60Hz +/- 5%
Input Current		0.7		A	
Inrush Current	0		60	A	At cold start, 100 / 240V AC
Leakage Current			0.25	mA	

### Output Data

	Min	Typical	Max	Units	Notes
Output Voltage		5		%	
Ripple & Noise					≤150mV
Over Current Protection					Typically, 115-135% of Rated Current
Short Circuit Protection					Continuous short circuit proof. Will recover if fault condition is removed
Over Voltage Protection					Will recover if fault condition is removed

**Environmental Data**

	Min	Typical	Max	Units	Notes
Operating Temperature	0		+40	°C	
Storage Temperature	-20		+80	°C	
Operating Humidity	10		90	°C	Operating 10% to 90%
Operating Humidity	5		95	°C	Storage 5% to 95%

**Other Information**

	Min	Typical	Max	Units	Notes
Isolation					Primary to Secondary: 4242VDC or 3000VAC / 5mA Max / 60second(3 seconds for mass production)
MTBF		50,000		hrs	At 80% load and 25°C
Weight					200 +/-10g
Dimensions					Refer to mechanical drawings

**EMC Emissions (2014/30/EU)**

	Standard	Test Level	Criteria	Notes
Conducted	EN 55032	Pass	B	EMC Directive 2014/30/EU
Radiated	EN 55032	Pass	B	
Harmonic Standard	EN 61000-3-2	N/A	Class D	
Voltage Fluctuation and Flicker	EN61000-3-3			Pass

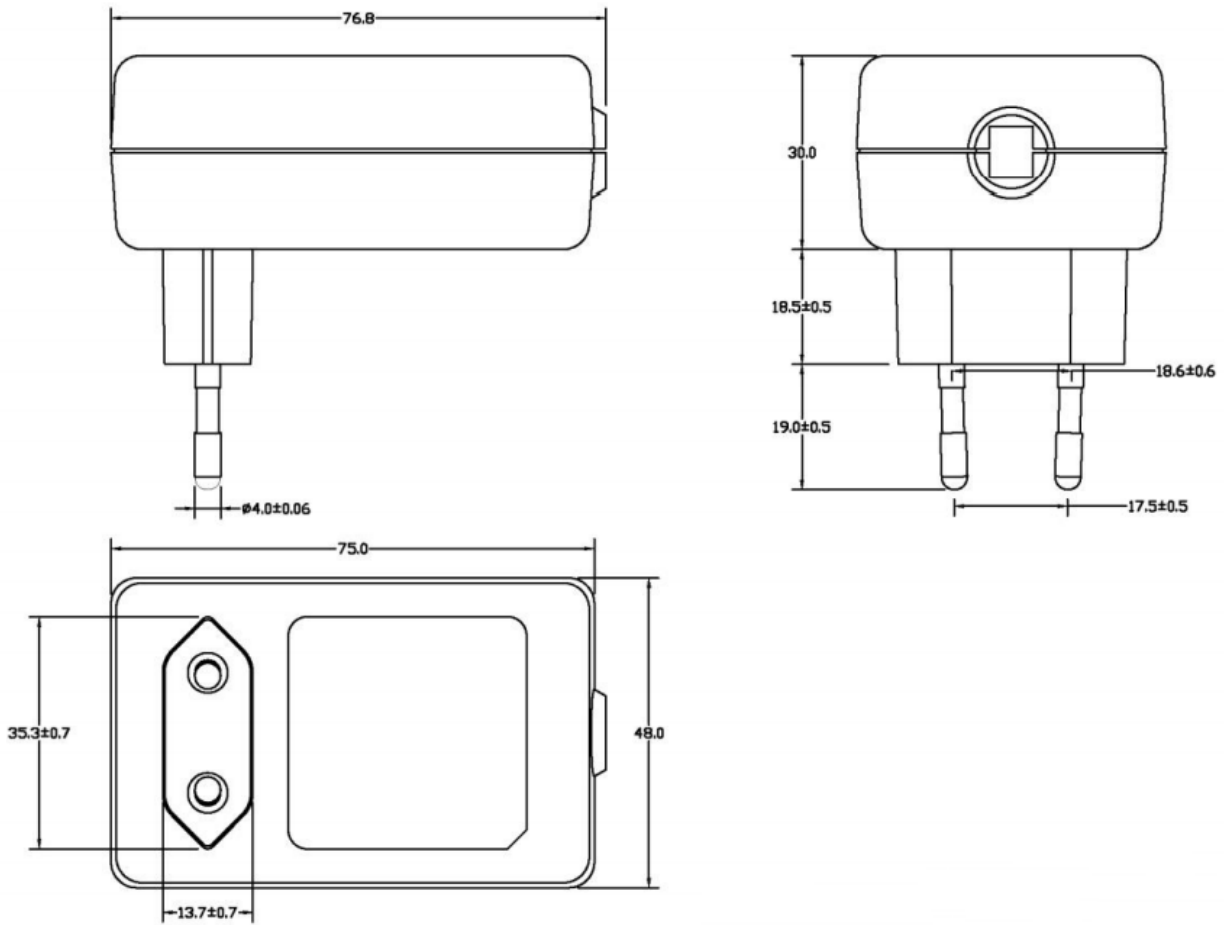
**EMC Immunity (2014/30/EU)**

Test Item	Standard	Test Method	Test Level	Result
Electrostatic Discharge Immunity (ESD)	EN 55035:2017	EN 61000-4-2:2009	Contract Air $\pm 4$ kV $\pm 8$ kV	Pass
Continuous RF electromagnetic field Disturbance's immunity (80MHz to 5 GHz swept test and spot test)	EN 55035:2017	EN 61000-4-2:2006 +A1: 2008 +A2:2010	3V/m 80% 1kHz AM	Pass
Electrical Fast Transient (EFT) on AC	EN 55035:2017	EN 61000-4-2:2012	AC $\pm 1.0$ kV	Pass
Surge immunity on AC mains	EN 55035:2017	EN 61000-4-2:2014 +A1:2017	$\pm 1.0$ kV $\pm 2.0$ kV	DM CM Pass
Surge immunity on Signal port	EN 55035:2017	EN 61000-4-2:2014 +A1:2017	$\pm 1.0$ kV	CM N/A
Continuous induced RF disturbance (150Hz to 80MHz)	EN 55035:2017	EN 61000-4-6:2014	3Vrms (emf), 80%, 1kHz, Amp, Mod	Pass
Power Frequency Magnetic Field	EN 55035:2017	N/A	50 HZ 1A/m	N/A
Voltage dips and interruptions on AC	EN 55035:2017	EN 61000-4-11:2017	0%U <sub>T</sub> *for 0.5per 0%U <sub>T</sub> * for250per70%U <sub>T</sub> *for25per	Pass

**Safety Approvals**

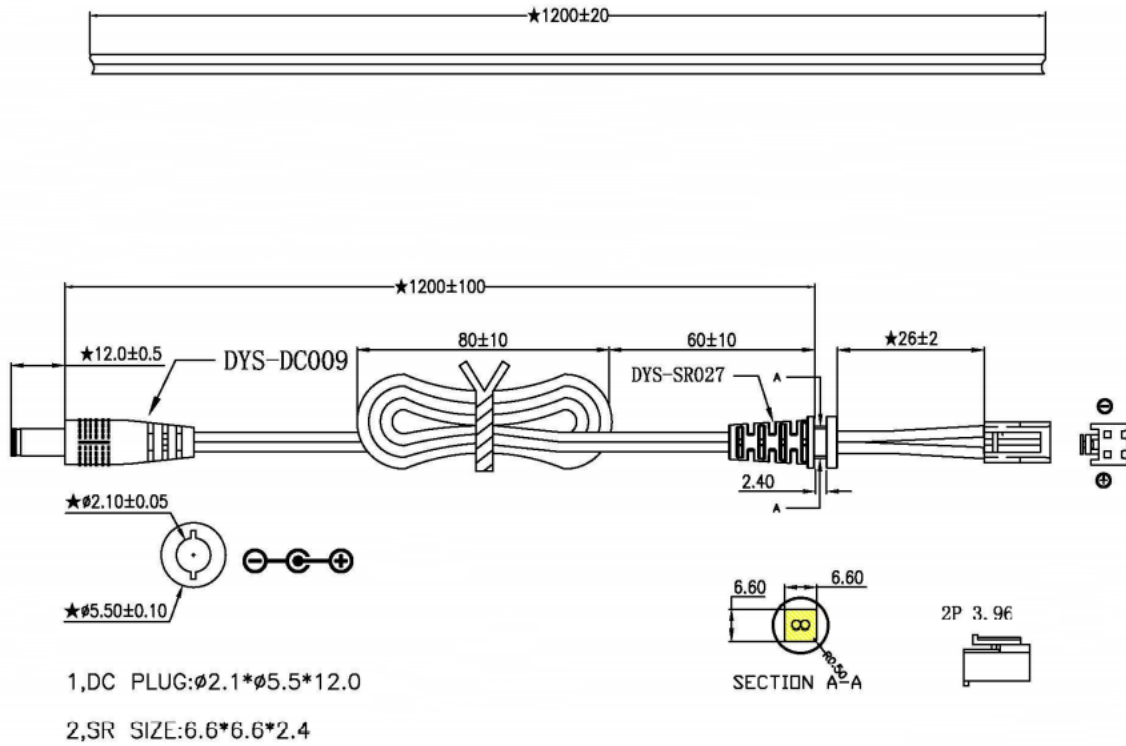
	Safety Standards
RoHS/REACH	RoHS Directive (EU) 2015/863 & REACH (205 SVHC)
CE LVD Directive 2014/35/EU	Yes (UK/European) – Only applicable for UK & EURO plugs.
cULus	Yes – Only applicable for US plug.
TUV	Yes (German/European) – Only applicable for EURO plug.
RCM & C-Tick	Yes – Only applicable for Australian plug.

Mechanical Drawing

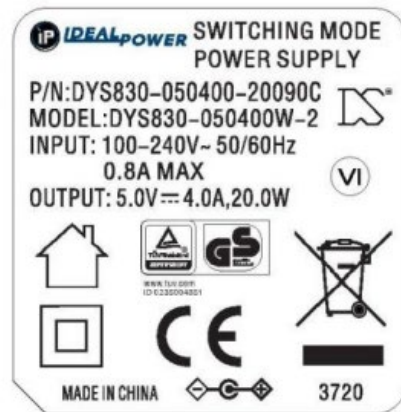
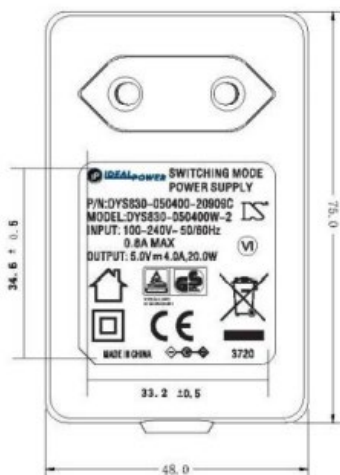


AC – DC

**Mechanical Drawing (Cord)**



**Mechanical Drawing (Plug)**



AC - DC