

## Features

- Universal input 100-240VAC
- Direct UK Fixed Plugtop Adapters
- Approved to UKCA, CE, RoHS & REACH
- EN/IEC 62368-1 Safety Approved
- Meets Efficiency Level VI & (EU) 2019/1782
- EMC Class B Certified
- Single Output 4.5 – 24V DC
- OVP, OCP, OTP, SCP



Ideal Power's 15DYS812-xyS-3-2.5 12W AC/DC External Adapter UK Plugtop Power Supply (PSU) Series are certified to UKCA, CE, RoHS, REACH & IEC/EN 62368-1 Standards and comply with (EU) 2019/1782, Level VI Efficiency Regulations. These are primarily used in ITE, Audio & Video Industries and customised solutions are available upon request.

### Models

Model Number	Output Voltage (V DC)	Output Current (A)	Output Power (W)
15DYS812-050210S-3-2.5	5	2.1	10.5
15DYS812-075150S-3-2.5	7.5	1.5	11.25
15DYS812-090133S-3-2.5	9	1.33	12
15DYS812-120100S-3-2.5	12	1	12
15DYS812-150080S-3-2.5	15	0.8	12
15DYS812-180067S-3-2.5	18	0.67	12
15DYS812-240050S-3-2.5	24	0.5	12

### Input Data

	Min	Typical	Max	Units	Notes
Input Voltage	90	--	264	V AC	100-240VAC +/- 10%
Input Frequency	47	--	63	Hz	50-60Hz +/- 5%
Input Current	--	0.35	--	A	
Inrush Current	0	--	60	A	At cold start, 100 / 240V AC
Leakage Current	--	--	0.25	mA	

### Output Data

	Min	Typical	Max	Units	Notes
Output Voltage	--	5%	--	%	
Ripple & Noise	--	150	--	mVp-p	
Over Current Protection	Over Current Point Limited >2.31A				
Short Circuit Protection	Continuous short circuit proof. Will recover if fault condition is removed				
Over Voltage Protection	Will recover if fault condition is removed				

**Environmental Data**

	Min	Typical	Max	Units	Notes
Operating Temperature	0	--	+40	°C	
Storage Temperature	-20	--	+80	°C	
Operating Humidity	10	--	90	°C	Operating 10% to 90%
Operating Humidity	5	--	95	°C	Storage 5% to 95%

**Other Information**

	Min	Typical	Max	Units	Notes
Isolation	--	--	--		2KVdc, between primary and secondary circuit
MTBF	--	50000	--	hrs	
Weight				200 +/-10g	
Dimensions					Refer to mechanical drawings

**EMC Emissions (2014/30/EU)**

	Standard	Test Level	Criteria	Notes
Conducted	EN 55032	Pass	B	EMC Directive 2014/30/EU
Radiated	EN 55032	Pass	B	
Harmonic Standard	EN 61000-3-2		Class D	P.F. shall >0.95 @100Vac input and >0.9 @240Vac input

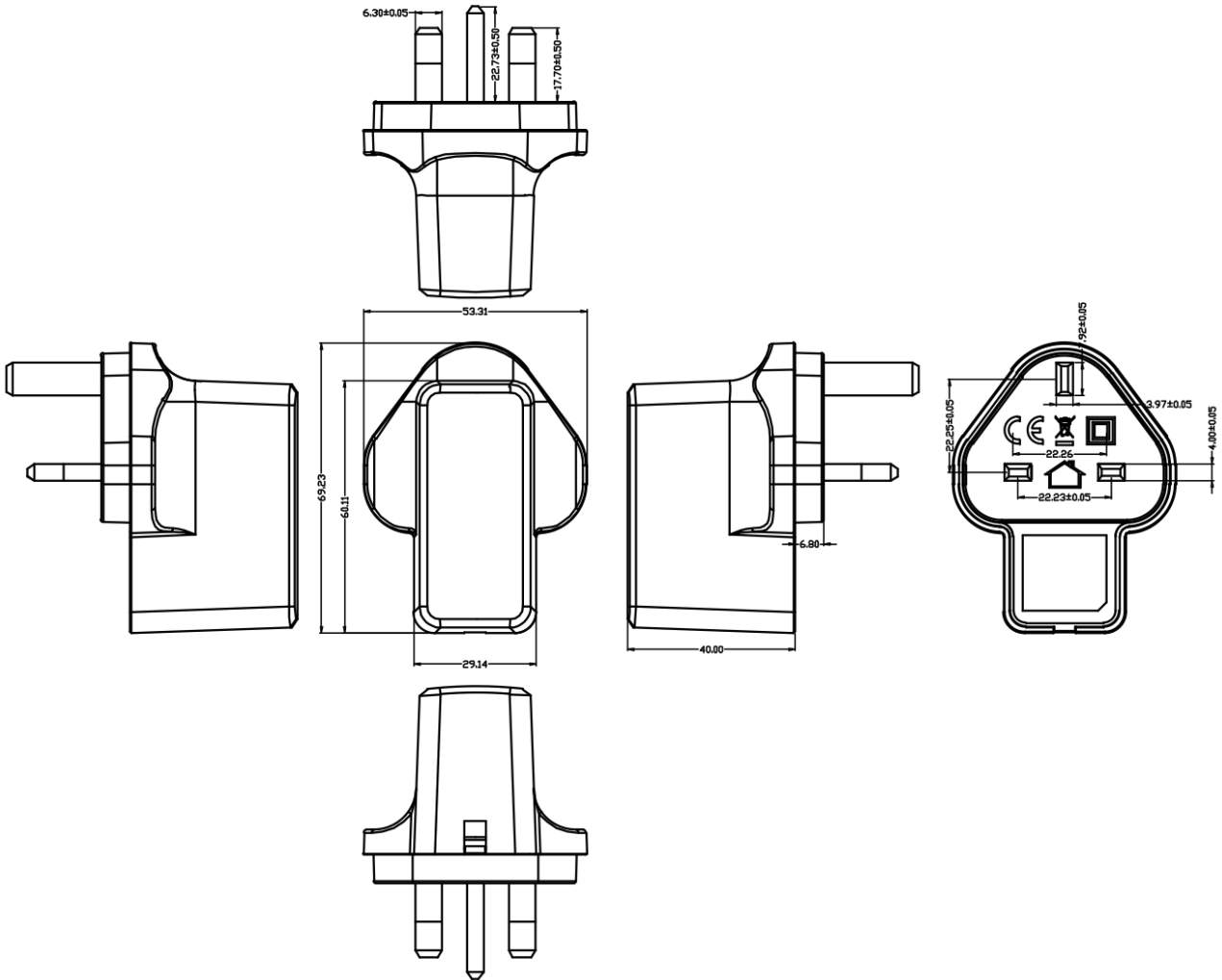
**EMC Immunity (2014/30/EU)**

	Standard	Test Level	Criteria	Notes
EMS	EN 55035			
EMS	EN 61204-3			
ESD	IEC 61000-4-2		B	Contact: +/- 4KV; Air: +/- 8KV
RS	IEC 61000-4-3			Frequency: 80-1000MHz; Field Strength: 3V/M ' 80% AM (1KHz)
EFT	IEC 61000-4-4		A/B	0.5/1.0KV on input AC power ports
Surge	IEC 61000-4-5		A	Line to Line: +/- 1KV (peak); Line to F.G: +/- 2KV (peak)
Conducted				
PfMF				
Dips and Interruptions				

**Safety Approvals**

	Safety Standards
RoHS/REACH	RoHS Directive (EU) 2015/863 & REACH (205 SVHC)
CE LVD Directive 2014/35/EU	Yes (UK/European) – Only applicable for UK & EURO plugs. (-1) (-2)
cULus	Yes – Only applicable for US plug. (-1)
TUV	Yes (German/European) – Only applicable for EURO plug. (-2)
RCM & C-Tick	Yes – Only applicable for Australian plug. (-4)

Mechanical Drawing



AC – DC