

Features

- Universal input 100-240VAC
- Direct Australia Fixed Plugtop Adapters
- Approved to RCM (C-Tick), RoHS, REACH
- IEC/AS/NZS 62368.1 Safety Approved
- Meets Efficiency Level VI & (EU) 2019/1782
- FCC Class B Certified
- Single Output 5-12V DC
- OVP, OCP, OTP & Short Circuit



Ideal Power's 15DYS806-xyS-7 7.5W AC/DC External Adapter Australia Plugtop Power Supply (PSU) Series are certified to RCM (C-Tick), RoHS, REACH & IEC/AS/NZS 62368.1 Standards and comply with (EU) 2019/1782, Level VI Efficiency Regulations. These are primarily used in ITE, Audio & Video Industries and customised solutions are available upon request.

Models

Model Number	Output Voltage	Output Current	Output Power
15DYS806-050150S-7	5VDC	1.5A	7.5W
15DYS806-060125S-7	6VDC	1.25A	7.5W
15DYS806-075100S-7	7.5VDC	1A	7.5W
15DYS806-090083S-7	9VDC	0.83A	7.5W
15DYS806-120062S-7	12VDC	0.62A	7.5W

Input Data

	Min	Typical	Max	Units	Notes
Input Voltage	90		264	V AC	100-240VAC +/- 10%
Input Frequency	47		63	Hz	50-60Hz +/- 5%
Input Current		0.3		A	
Inrush Current	0		60	A	At cold start, 100 / 240V AC
Leakage Current			0.25	mA	

Output Data

	Min	Typical	Max	Units	Notes
Output Voltage		5		%	
Ripple & Noise					≤150mV
Over Current Protection					Typically, 115-135% of Rated Current
Short Circuit Protection					Continuous short circuit proof. Will recover if fault condition is removed
Over Voltage Protection					Will recover if fault condition is removed

Ideal Power Limited

14 Larks Way, Tree Beech Enterprise Park, Gunn, Barnstaple, Devon, England, EX32 7NZ.

www.idealpower.co.uk | +44 (0) 845 260 3400

Page 1 of 3

**Environmental Data**

	Min	Typical	Max	Units	Notes
Operating Temperature	0		+45	°C	10%RH to 90%RH
Storage Temperature	-20		+80	°C	5%RH to 95%RH non-condensing

Other Information

	Min	Typical	Max	Units	Notes
Dialectic Strength					Primary to Secondary: 4242VDC or 3000VAC / 5mA Max / 60second(3 seconds for mass production)
MTBF		50,000		hrs	
Weight					200 +/-10g
Dimensions					Refer to mechanical drawings

EMC Emissions (2014/30/EU)

	Standard	Test Level	Criteria	Notes
Conducted	EN 55032	Pass	B	EMC Directive 2014/30/EU
Radiated	EN 55032	Pass	B	
Harmonic Standard	EN 61000-3-2	N/A	A	
Voltage Fluctuation and Flicker	EN61000-3-3			Pass

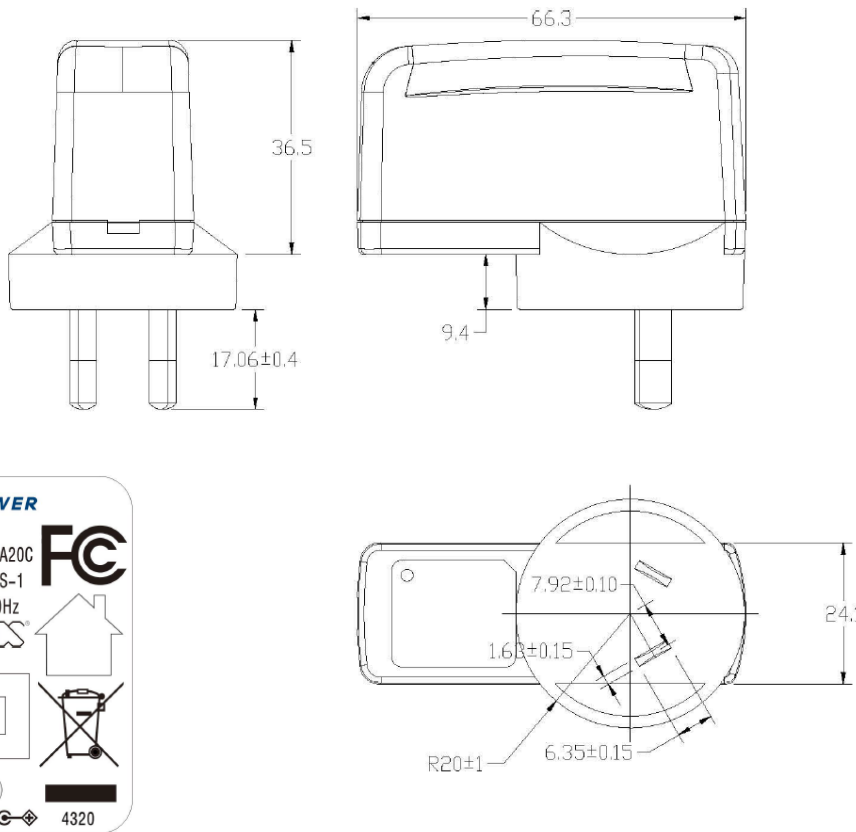
EMC Immunity (2014/30/EU)

Test Item	Standard	Test Method	Test Level	Result
Electrostatic Discharge Immunity (ESD)	EN 55035:2017	EN 61000-4-2:2009	Contract Air ± 4 kV ± 8 kV	Pass
Continuous RF electromagnetic field Disturbance's immunity (80MHz to 5 GHz swept test and spot test)	EN 55035:2017	EN 61000-4-2:2006 +A1: 2008 +A2:2010	3V/m 80% 1kHz AM	Pass
Electrical Fast Transient (EFT) on AC	EN 55035:2017	EN 61000-4-2:2012	AC ± 1.0 kV	Pass
Surge immunity on AC mains	EN 55035:2017	EN 61000-4-2:2014 +A1:2017	± 1.0 kV ± 2.0 kV DM CM	Pass
Surge immunity on Signal port	EN 55035:2017	EN 61000-4-2:2014 +A1:2017	± 1.0 kV CM	N/A
Continuous induced RF disturbance (150Hz to 80MHz)	EN 55035:2017	EN 61000-4-6:2014	3Vrms (emf), 80%, 1kHz, Amp, Mod	Pass
Power Frequency Magnetic Field	EN 55035:2017	N/A	50 HZ 1A/m	N/A
Voltage dips and interruptions on AC	EN 55035:2017	EN 61000-4-11:2017	0%U _T *for 0.5per 0%U _T * for250per70%U _T *for25per	Pass

Safety Approvals

	Safety Standards
RoHS/REACH	RoHS Directive (EU) 2015/863 & REACH (205 SVHC)
CE LVD Directive 2014/35/EU	(UK/European) – Only applicable for UK & EURO plugs.
cULus	Only applicable for US plug.
TUV	(German/European) – Only applicable for EURO plug.
RCM & C-Tick	Only applicable for Australian plug.

Mechanical Drawing



IP IDEALPOWER
AC-DC ADAPTER
P/N: DYS806-090040-20A20C
MODEL: DYS806-090040S-1
INPUT: 100-240V-50/60Hz
0.3A MAX
OUTPUT: 9.0V = 0.4A

FC

UL US
LISTED
E312037
I.T.E. POWER SUPPLY
AV POWER SUPPLY
MADE IN CHINA

VI

4320

Cord Drawing

