

Features

- Universal input 100~240VAC
- Direct Euro Fixed Plugtop Adapters
- Approved to TUV-GS, CE, RoHS & REACH
- Safety standards to UL/IEC 62368-1
- Meets Efficiency Level VI
- EMC FCC Class B Certified
- Single Output 5~12V DC
- OVP, OCP, OTP, SCP



Ideal Power's 15DYS806-xyS-3 7.5W AC/DC External Adapter EURO Plugtop Power Supply (PSU) Series are certified to TUV-GS, CE, RoHS, REACH & EN 62368-1/IEC 62368-1 Standards and comply with (EU) 2019/1782, Level VI Efficiency Regulations. These are primarily used in ITE, Audio & Video Industries and customised solutions are available upon request.

Models

Model Number	Output Voltage	Output Current	Output Power
15DYS806-050150S-3	5VDC	1.5A	7.5W
15DYS806-060125S-3	6VDC	1.25A	7.5W
15DYS806-075100S-3	7.5VDC	1A	7.5W
15DYS806-090083S-3	9VDC	0.83A	7.5W
15DYS806-120062S-3	12VDC	0.62A	7.5W

Input Data

	Min	Typical	Max	Units	Notes
Input Voltage	90	--	264	V AC	100-240VAC +/- 10%
Input Frequency	47	--	63	Hz	50-60Hz +/- 5%
Input Current	--	0.3	--	A	
Inrush Current	0	--	60	A	At cold start, 100 / 240V AC
Leakage Current	--	--	0.25	mA	

Output Data

	Min	Typical	Max	Units	Notes
Output Voltage	--	5	--	%	
Ripple & Noise	--	--	150	mVp	
Over Current Protection	Typically, 115-135% of Rated Current				
Short Circuit Protection	Continuous short circuit proof. Will recover if fault condition is removed				
Over Voltage Protection	Will recover if fault condition is removed				

Environmental Data

	Min	Typical	Max	Units	Notes
Operating Temperature	0	--	+45	°C	10%RH to 90%RH
Storage Temperature	-20	--	+80	°C	5%RH to 95%RH non-condensing

Other Information

	Min	Typical	Max	Units	Notes
Dielectric Strength	--	--	--	--	Primary to Secondary: 4242VDC or 3000VAC / 5mA Max / 60 second (3 seconds for mass production)
MTBF	--	50,000	--	hrs	At 80% load and 25°C
Weight					200 +/-10g
Dimensions					Refer to mechanical drawings

EMC Emissions (2014/30/EU)

	Standard	Test Level	Criteria	Notes
Conducted	EN 55032	Pass	B	EMC Directive 2014/30/EU
Radiated	EN 55032	Pass	B	
Harmonic Standard	EN 61000-3-2	N/A	A	
Voltage Fluctuation and Flicker	EN61000-3-3			Pass

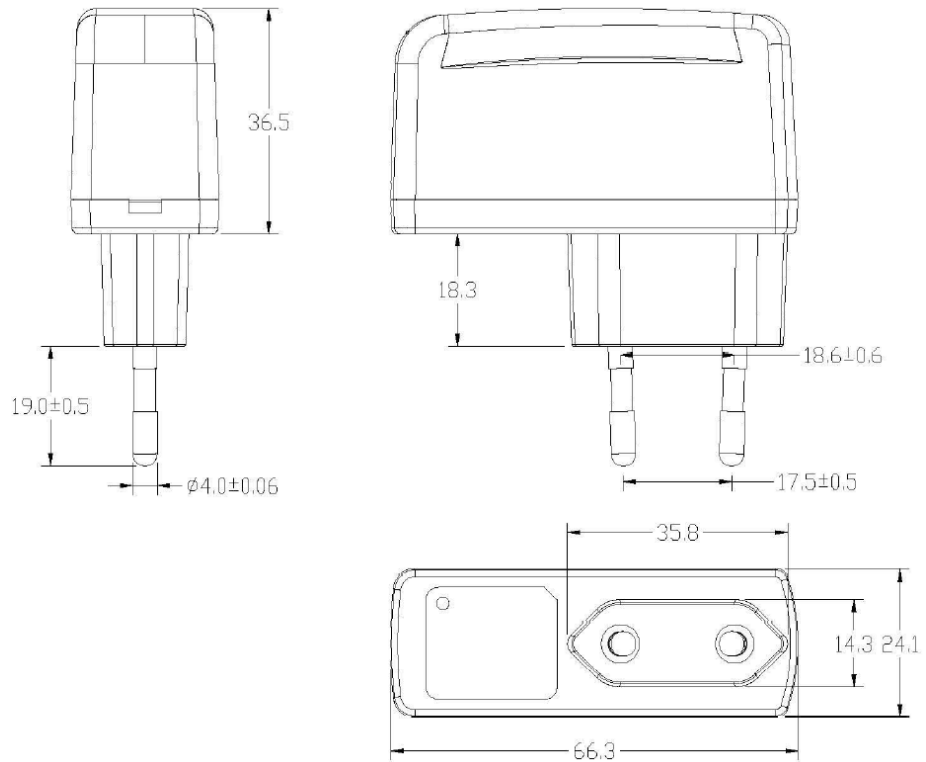
EMC Immunity (2014/30/EU)

Test Item	Standard	Test Method	Test Level		Result
			Contract	Air	
Electrostatic Discharge Immunity (ESD)	EN 55035:2017	EN 61000-4-2:2009		$\pm 4kV$ $+8kV$	Pass
Continuous RF electromagnetic field Disturbance's immunity (80MHz to 5 GHz swept test and spot test)	EN 55035:2017	EN 61000-4-2:2006 +A1: 2008 +A2:2010	3V/m 80% 1kHz AM		Pass
Electrical Fast Transient (EFT) on AC	EN 55035:2017	EN 61000-4-2:2012	AC	$\pm 1.0kV$	Pass
Surge immunity on AC mains	EN 55035:2017	EN 61000-4-2:2014 +A1:2017	$\pm 1.0kV$ $\pm 2.0kV$	DM CM	Pass
Surge immunity on Signal port	EN 55035:2017	EN 61000-4-2:2014 +A1:2017	$\pm 1.0kV$	CM	N/A
Continuous induced RF disturbance (150Hz to 80MHz)	EN 55035:2017	EN 61000-4-6:2014	3Vrms (emf), 80%, 1kHz, Amp, Mod		Pass
Power Frequency Magnetic Field	EN 55035:2017	N/A	50 HZ 1A/m		N/A
Voltage dips and interruptions on AC	EN 55035:2017	EN 61000-4-11:2017	0%U _T *for 0.5per 0%U _T * for250per70%U _T *for25per		Pass

Safety Approvals

Safety Standards	
RoHS/REACH	RoHS Directive (EU) 2015/863 & REACH (205 SVHC)
CE LVD Directive 2014/35/EU	(UK/European) – Only applicable for UK & EURO plugs.
cULus	Only applicable for US plug.
TUV	(German/European) – Only applicable for EURO plug.
RCM & C-Tick	Only applicable for Australian plug.

Mechanical Drawing



IP IDEALPOWER
 AC-DC ADAPTER
 P/N: DYS806-090040-20A20D
 MODEL: DYS806-090040S-3
 INPUT: 100-240V-50/60Hz
 0.3A MAX
 OUTPUT: 9.0V = 0.4A, 3.6W

www.idealpower.com
 ID: 0235004851

MADE IN CHINA

4320

Cord Drawing

