

Features

- Universal input 90-264V AC
- Direct EURO Fixed Plugtop Adapter
- Approved to UKCA, CE, TUV-GS, RoHS
- IEC/EN 60950-1 Safety Approved
- Meets Efficiency Level VI
- Single Output 12~15V DC
- OVP, OCP, OTP, SCP



Image for Illustration Purpose
Models may vary

Ideal Power's 15DYS650-xyW-2-RS 50W AC/DC External Adapter EURO Plugtop Power Supply (PSU) Series are certified to UKCA, CE, TUV-GS, RoHS & IEC 60950-1/EN 60950-1 Standards and comply with Efficiency Regulations. These are primarily used in ITE, Audio & Video Industries and customised solutions are available upon request.

Models

Model Number	Output Voltage (V DC)	Output Current (A)	Output Power (W)	Efficiency (%)
15DYS650-120420W-2-RS	12	4.2	50.4	88
15DYS650-150336W-2-RS	15	3.36	50.4	88

Input Data

	Min	Typical	Max	Units	Notes
Input Voltage	90	--	264	V AC	100-240VAC +/- 10%
Input Frequency	47	--	63	Hz	50-60Hz +/- 5%
Input Current	--	--	1.3	A	
Inrush Current	0	--	80	A	At cold start, 100 / 240V AC
Leakage Current	--	--	0.25	mA	

Output Data

	Min	Typical	Max	Units	Notes
Output Voltage Range	11.4	--	1575	V	
Ripple & Noise	--	300	--	mVp-p	Model dependant
Line Regulation	--	3	--	%	
Load Regulation	--	5	--	%	
Over Current Protection	4.36	--	5	A	Will recover if fault condition is removed
Short Circuit Protection					Will recover if fault condition is removed
Over Voltage Protection					Will recover if fault condition is removed

Environmental Data

	Min	Typical	Max	Units	Notes
Operating Temperature	0	--	+45	°C	
Storage Temperature	-20	--	+80	°C	
Operating Humidity	10	--	90	°C	
Storage Humidity	5	--	95	°C	

Other Information

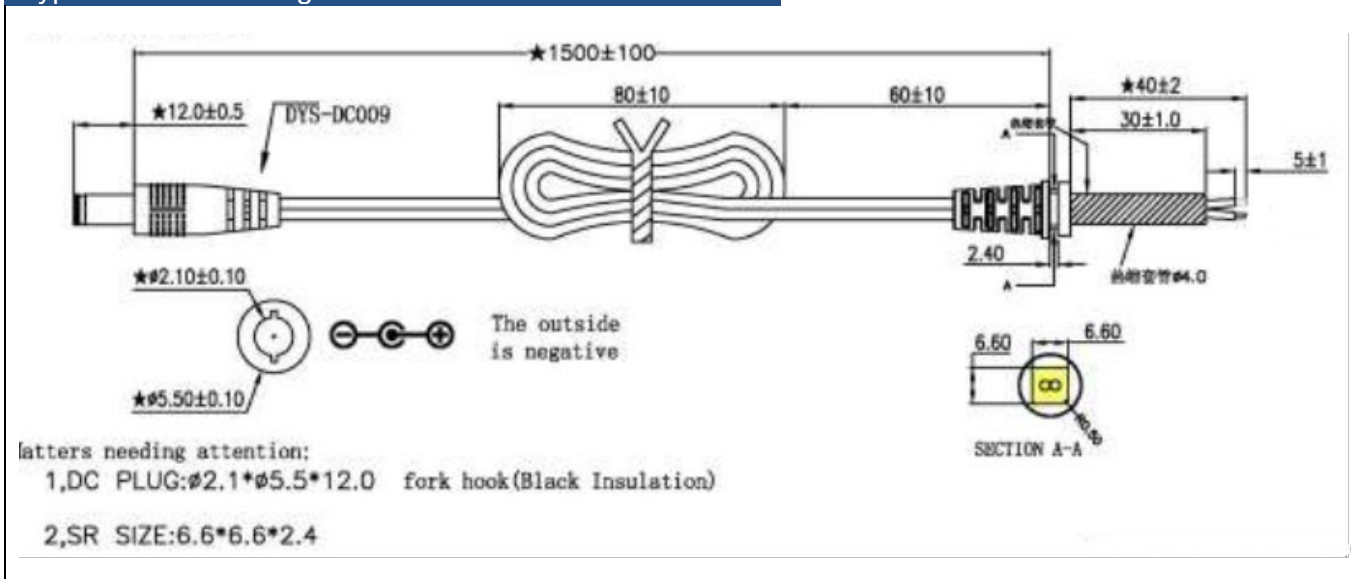
	Min	Typical	Max	Units	Notes
Insulation	50	--	--	MΩ	At primary to secondary add 500V dc test V
MTBF	--	50,000	--	hrs	
Dimensions					71.8x50x60.9mm
Cable					UL2468, 20AWG, 1200mm,
Output Connector					2.1x5.5x12mm

EMI/EMS Standards

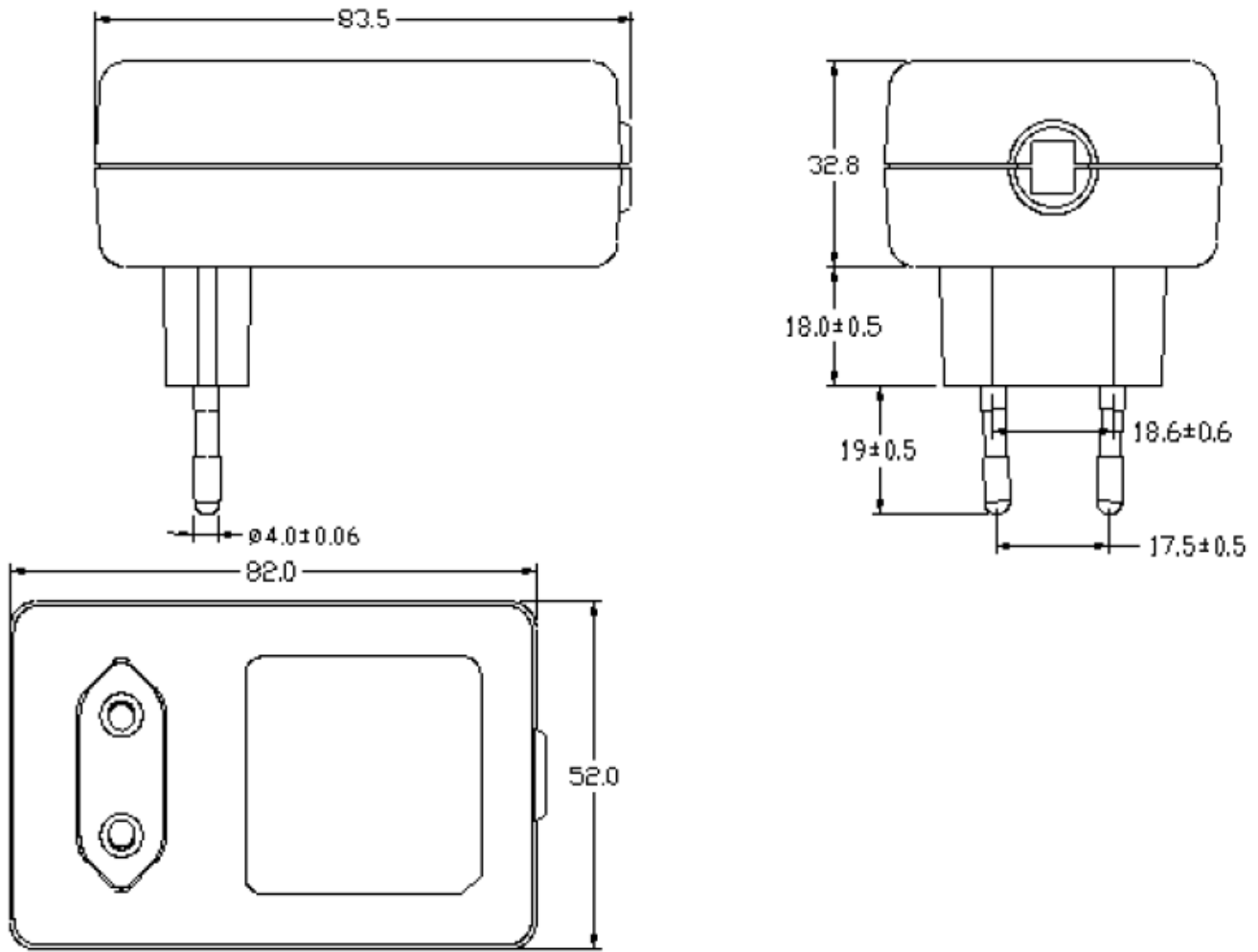
	Test Level			
EMI	EN 55032			
EMS	EN 55035			
ESD	IEC 61000-4-2,	Air discharge +/-8KV, Contact discharge +/-4KV		Pass B
EFT	IEC 61000-4-4,	AC-Input 0.5KV/1KV		Pass A/B
Surge Voltage	IEC 61000-4-5	Differential mode +/-1KV. Common mode +/-2KV		Pass A

Safety Approvals

	Safety Standards
Certifications	UKCA, CE, TUV-GS, RoHS
Approvals	IEC/EN 60950-1

Typical Cable Drawing


Mechanical Drawing



Typical Label Drawing

