

Features

- Universal input 90-264V AC
- Direct UK Fixed Plugtop Adapter
- Approved to UKCA, CE, RoHS
- IEC/EN 60950-1 Safety Approved
- Meets Efficiency Level VI
- Single Output 5V DC
- OVP, OCP, OTP, SCP



Ideal Power's 15DYS612-xyW-3 12W AC/DC External Adapter UK Plugtop Power Supply (PSU) Series are certified to UKCA, CE, RoHS & IEC 60950-1/EN 60950-1 Standards and comply with Efficiency Regulations. These are primarily used in ITE, Audio & Video Industries and customised solutions are available upon request.

Models

Model Number	Output Voltage (V DC)	Output Current (A)	Output Power (W)	Efficiency (%)
15DYS612-050240W-3	5	2.4	12	79.94
15DYS612-120100W-3	12V DC	1A	12W	82.96%

Input Data

	Min	Typical	Max	Units	Notes
Input Voltage	90	--	264	V AC	100-240VAC +/- 10%
Input Frequency	47	--	63	Hz	50-60Hz +/- 5%
Input Current	--	--	0.4	A	
Inrush Current	0	--	60	A	At cold start, 100 / 240V AC
Leakage Current	--	--	0.25	mA	

Output Data

	Min	Typical	Max	Units	Notes
Output Voltage Range	4.75	--	5.25	V	
Ripple & Noise	--	150	--	mVp-p	Model dependant
Line Regulation	--	3	--	%	
Load Regulation	--	5	--	%	
Over Current Protection	--	--	2.6	A	Will recover if fault condition is removed
Short Circuit Protection					Will recover if fault condition is removed
Over Voltage Protection					Will recover if fault condition is removed

Environmental Data

	Min	Typical	Max	Units	Notes
Operating Temperature	0	--	+40	°C	
Storage Temperature	-20	--	+80	°C	
Operating Humidity	10	--	90	°C	
Storage Humidity	5	--	95	°C	

Other Information

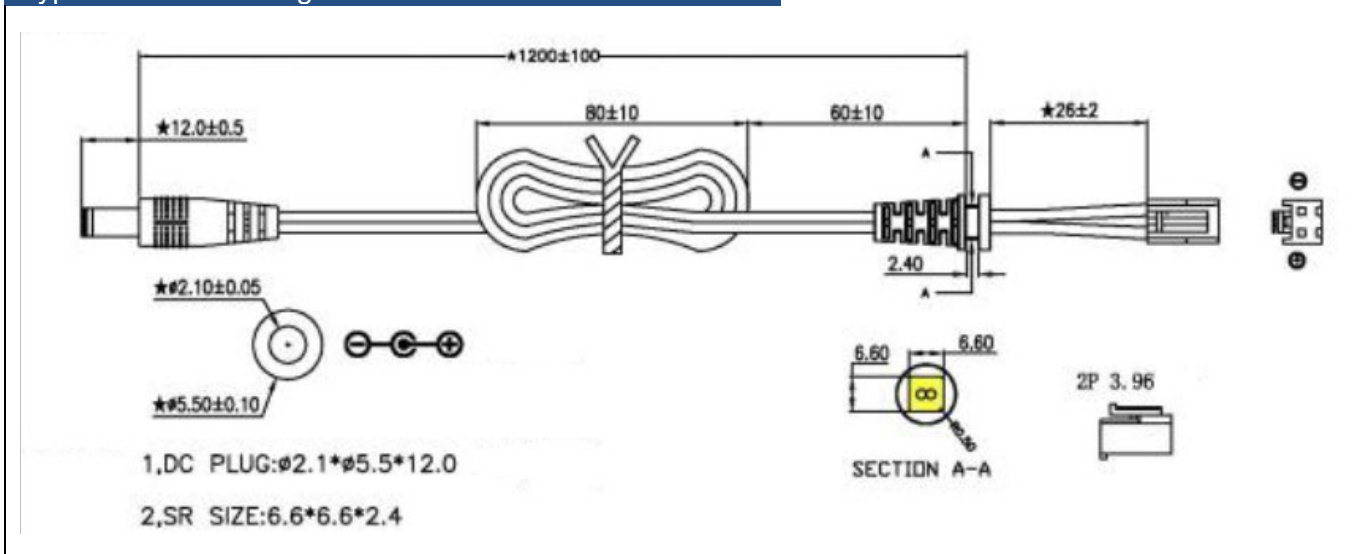
	Min	Typical	Max	Units	Notes
Insulation	50	--	--	MΩ	At primary to secondary add 500V dc test V
MTBF	--	50,000	--	hrs	
Dimensions					71.8x50x60.9mm
Cable					UL2468, 20AWG, 1200mm,
Output Connector					2.1x5.5x12mm

EMI/EMS Standards

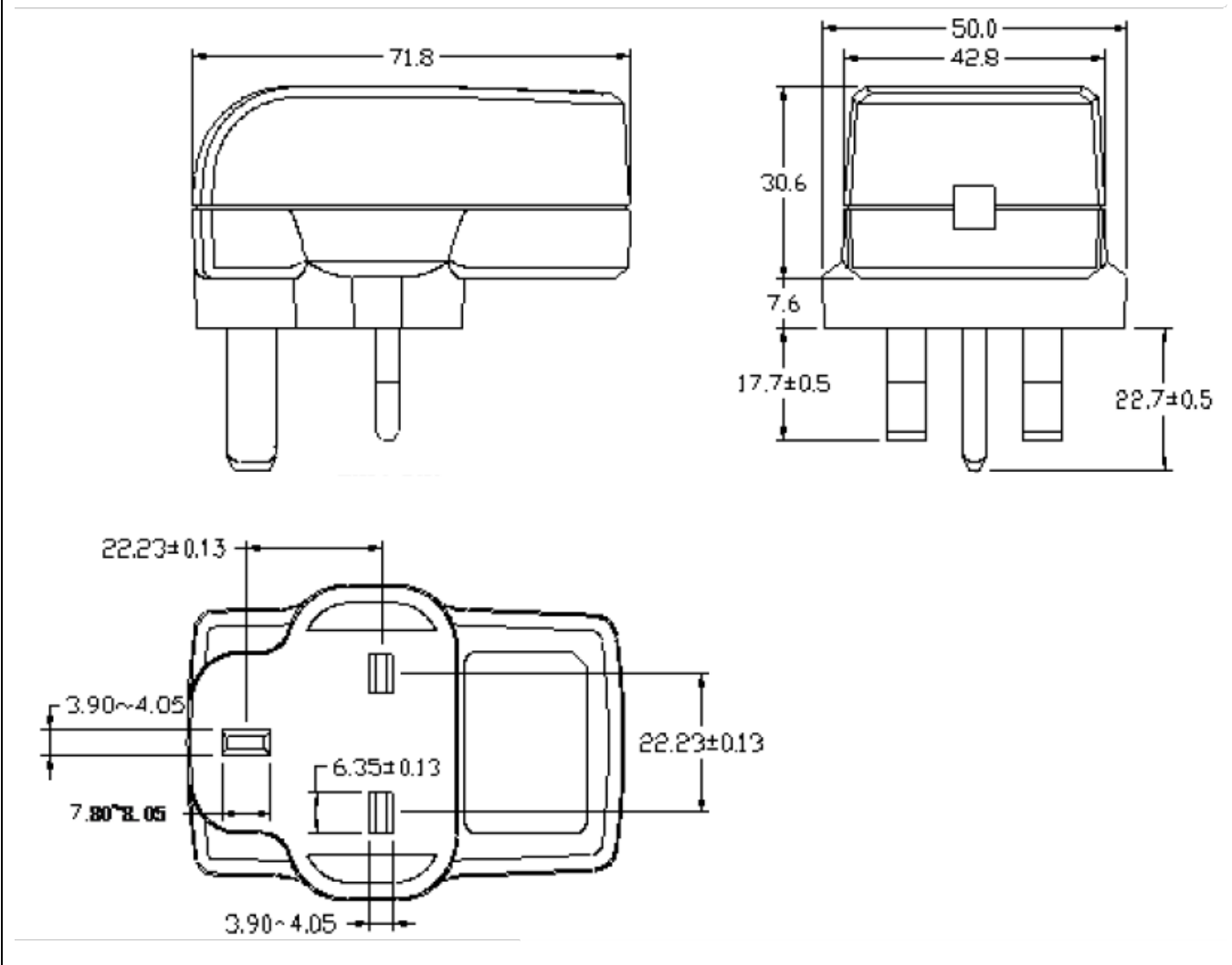
	Test Level
EMI	EN 55032 / FCC Part 15 Class B / AS/NZS CISPR22
EMS	EN 55035
ESD	IEC 61000-4-2, Air discharge +/-8KV, Contact discharge +/-4KV Pass B
EFT	IEC 61000-4-4, AC-Input 0.5KV/1KV Pass A/B
Surge Voltage	IEC 61000-4-5 Differential mode +/-1KV. Common mode +/-2KV Pass A

Safety Approvals

	Safety Standards
Certifications	UKCA, CE, RoHS
Approvals	IEC/EN 60950-1

Typical Cable Drawing


Mechanical Drawing



Typical Label Drawing

